

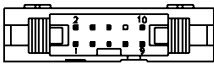
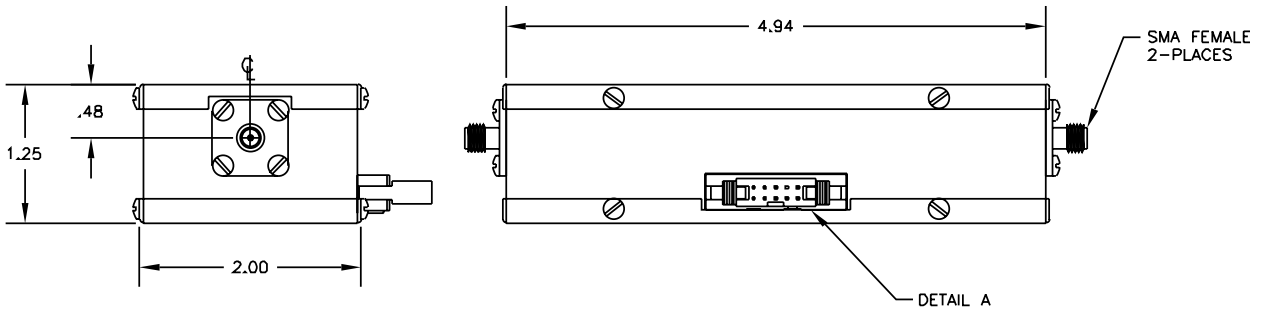
Solid State Programmable Attenuators

Wideband

Model	Frequency Range	Attenuation Range / Steps	Attenuation Accuracy	VSWR	Insertion Loss	Operating Temperature Range
50P-686	20-1000 MHz	0-127 dB / 1,2,4,8,16,32 and 64 dB	+/- .2 dB or 2% 20-500 MHz +/- .4 dB or 2% 500-1000 MHz	1.4:1 maximum	3 dB nominal 4 dB maximum	0° C to +70° C
50P-796	20-1500 MHz	0-127 dB / 1,2,4,8,16,32 and 64 dB	+/- .3 dB or 1% 20-500 MHz +/- .5 dB or 2% 500-1500 MHz	1.5:1 maximum	3 dB maximum @ 500 MHz 4 dB maximum @ 1000 MHz 5 dB maximum @ 1500 MHz	-20° C to +85° C
50P-1080	2-1215 MHz	0-127 dB / 1,2,4,8,16,32 and 64 dB	+/- .2 dB or 2% 2-500 MHz +/- .4 dB or 2% 500-1215 MHz	1.4:1 maximum	3 dB nominal 4 dB maximum Flatness: +/- .75 dB maximum	0° C to +70° C

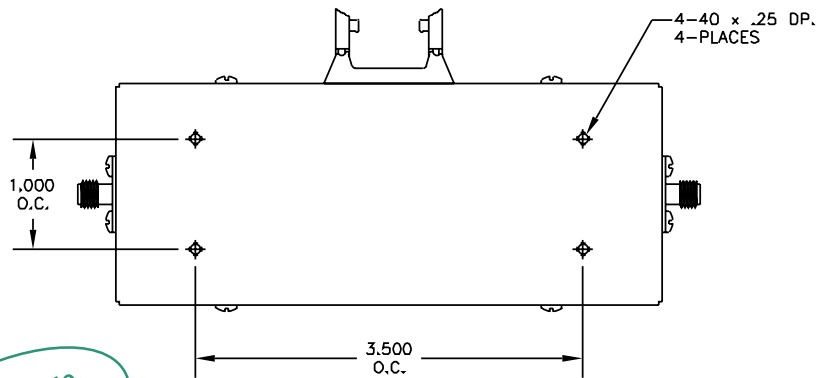
Common Specifications

Impedance	Switching Speed	RF Input Power	DC Control Connector	Control Logic (7 lines)	DC Supply	RF Connectors
50 Ohms	5 microseconds	+10 dBm	3M # 3793-5303	TTL low for "zero" setting TTL high for attenuation	+5 Vdc @ 300 mA	SMA, N, BNC, TNC



DETAIL A
3M# 3793-5303

PIN	FUNCTION
1	1dB TTL CONT.
2	2dB TTL CONT.
3	4dB TTL CONT.
4	8dB TTL CONT.
5	16dB TTL CONT.
6	32dB TTL CONT.
7	64dB TTL CONT.
8	
9	+5Vdc
10	GROUND



For a DC mating cable,
see page 7-12

This catalog represents only 10% of our products. For YOUR application, please contact JFW at 1-877-887-4JFW