

Solid State Programmable Attenuators

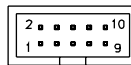
Small Package and Wideband

Model	Frequency Range	Attenuation Range/Steps	Attenuation Accuracy	Insertion Loss	RF Input Power
50P-1403	400-3000 MHz	0-70 dB/10, 20 and 40 dB	+/- .5 dB or 2% of programmed	.75 dB nominal @ 400 MHz 2 dB nominal @ 3000 MHz	+10 dBm operating +17 dBm (1 dB compression)
50P-1573	30-2500 MHz	0-55 dB/5, 10, 20 and 20 dB	+/- .3 dB or 1% 30-500 MHz +/- .5 dB or 2% 500-2500 MHz	1.5 dB typical @ 30 MHz 4.0 dB typical @ 2500 MHz 4.5 dB maximum	+10 dBm average +30 dBm no damage
50P-1582	800-2200 MHz	0-1.5 dB/.1, .2, .4 and .8 dB	.1 dB +/- .05 dB .2 dB +/- .075 dB .4 dB +/- .1 dB .8 dB +/- .2 dB	.5 dB nominal 1 dB maximum	+20 dBm average

Model	Impedance	Switching Speed	Operating Temperature	VSWR	DC Supply	RF Connectors
50P-1403	50 Ohms	1 microsecond	0° C to +70° C	1.5:1 typical 1.6:1 maximum	+5 Vdc @ 70 mA	SMA female
50P-1573	50 Ohms	5 microseconds	0° C to +70° C	1.5:1 maximum	+5 Vdc @ 70 mA	SMA female
50P-1582	50 Ohms	5 microseconds maximum 2 microseconds typical	0° C to +70° C	1.5:1 maximum	+5 Vdc @ 15 mA	SMA female

Control Logic

TTL low for "zero" setting
TTL high for attenuation



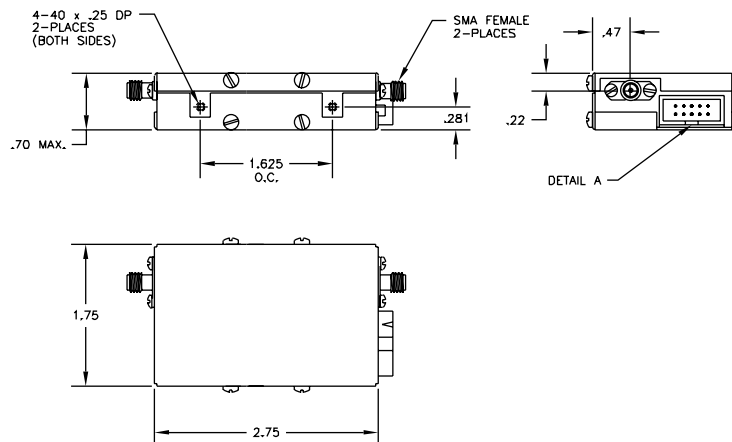
DETAIL A
T&B #609-1057

For a DC mating cable,
see page 7-12

PIN	50P-1403
1	+5 Vdc
2	GROUND
3	GROUND
4	GROUND
5	GROUND
6	GROUND
7	40dB TTL CONTROL
8	20dB TTL CONTROL
9	10dB TTL CONTROL
10	GROUND

PIN	50P-1573
1	+5 Vdc
2	GROUND
3	GROUND
4	GROUND
5	GROUND
6	20dB TTL CONTROL
7	20dB TTL CONTROL
8	10dB TTL CONTROL
9	5dB TTL CONTROL
10	GROUND

PIN	50P-1582
1	+5 Vdc
2	GROUND
3	GROUND
4	GROUND
5	GROUND
6	.8dB TTL CONTROL
7	.4dB TTL CONTROL
8	.2dB TTL CONTROL
9	.1dB TTL CONTROL
10	GROUND



This catalog represents only 10% of our products. For YOUR application, please contact JFW at 1-877-887-4JFW