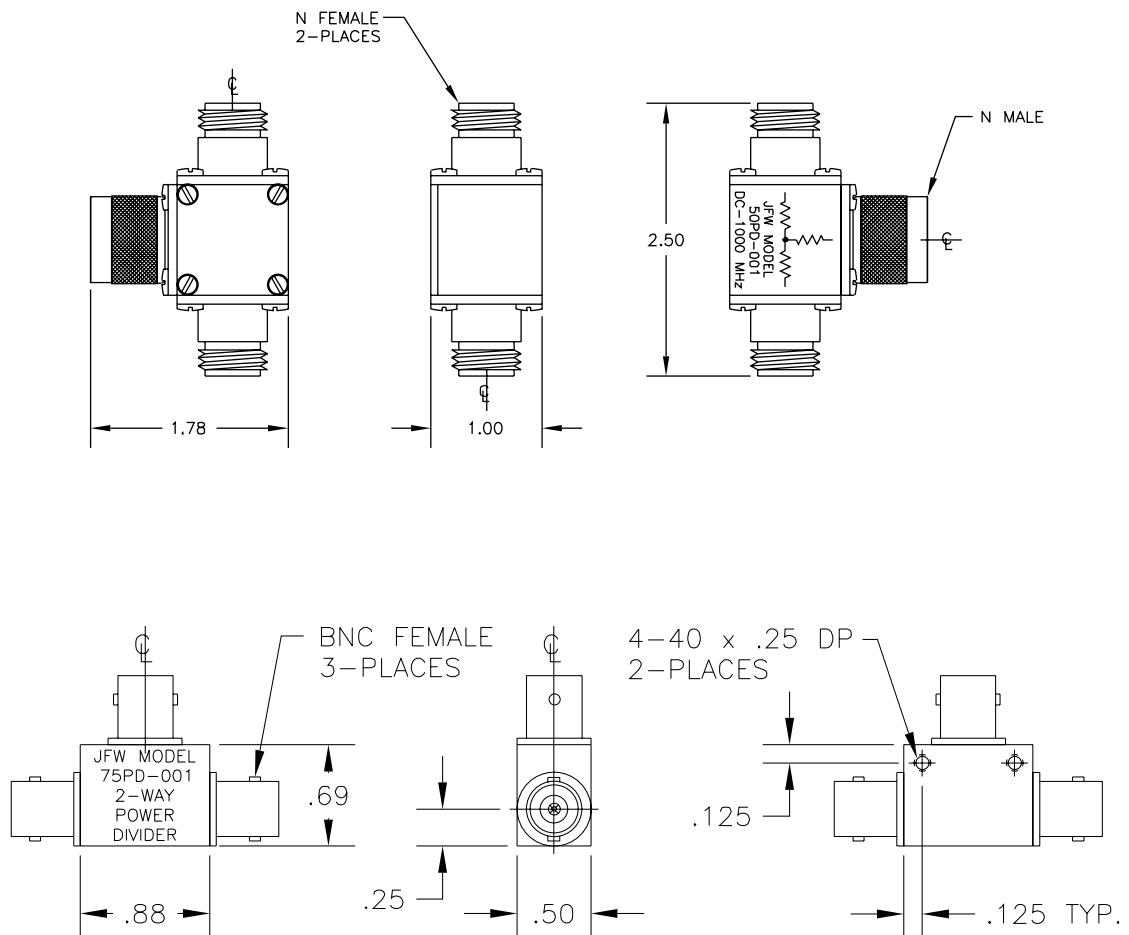


# Resistive Power Dividers/Combiners

Model	Impedance	Configuration	Frequency Range	Power Division Asymmetry	Insertion Loss	VSWR Maximum	RF Connectors
50PD-001	50 Ohms	2-Way	DC-1000 MHz	+/- .1 dB DC-500 MHz +/- .2 dB 500-1000 MHz	6 dB +/- .3 dB	1.1:1 DC-500 MHz 1.2:1 500-1000 MHz	N male N female
50PD-015	50 Ohms	2-Way	DC-2550 MHz	+/- .1 dB DC-500 MHz +/- .2 dB 500-1000 MHz +/- .3 dB 1000-2550 MHz	6 dB +/- .3 dB DC-1000 MHz 6 dB +/- .5 dB 1000-2550 MHz	1.1:1 DC-500 MHz 1.2:1 500-1000 MHz 1.3:1 1000-2550 MHz	N male N female
75PD-001	75 Ohms	2-Way	DC-1000 MHz	+/- .2 dB DC-500 MHz +/- .4 dB 500-1000 MHz	6 dB +/- .4 dB	1.2:1 DC-500 MHz 1.3:1 500-1000 MHz	BNC or TNC female

## Common Specifications

Input Power	Peak Power	Operating Temperature
1 Watt average @ 25° C	1000 Watts (1 microsecond)	-40° C to +85° C



This catalog represents only 10% of our products. For YOUR application, please contact JFW at 1-877-887-4JFW