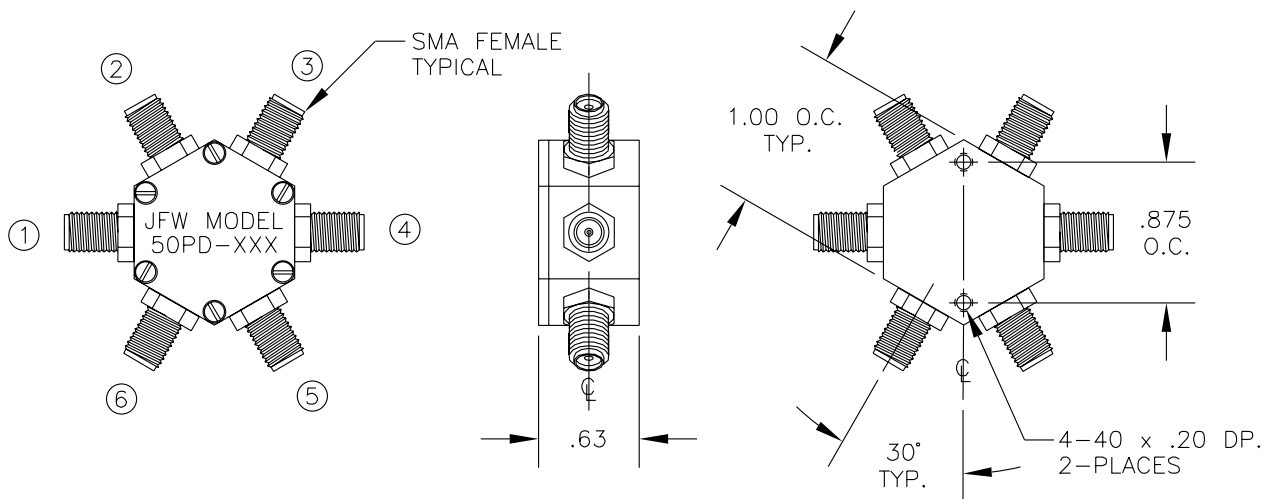


Resistive Power Dividers/Combiners

Model	Impedance	Configuration	Frequency Range	Power Division Asymmetry	Insertion Loss	VSWR Maximum	RF Connectors
50PD-016	50 Ohms	2-Way	DC-4000 MHz	+/- .1 dB DC-1000 MHz +/- .2 dB 1000-2000 MHz +/- .3 dB 2000-4000 MHz	6 dB +/- .3 dB DC-2000 MHz 6 dB +/- .5 dB 2000-4000 MHz	1.1:1 DC-1000 MHz 1.2:1 1000-2000 MHz 1.3:1 2000-4000 MHz	SMA female
50PD-017	50 Ohms	3-Way	DC-2000 MHz	+/- .1 dB DC-500 MHz +/- .2 dB 500-1000 MHz +/- .3 dB 1000-2000 MHz	9.5 dB +/- .5 dB	1.1:1 DC-500 MHz 1.2:1 500-2000 MHz	SMA female
50PD-292	50 Ohms	3-Way	DC-4000 MHz	+/- .5 db	9.5 dB +/- .5 dB	1.5:1	SMA female
50PD-018	50 Ohms	4-Way	DC-2000 MHz	+/- .2 dB DC-1000 MHz +/- .3 dB 1000-2000 MHz	12 dB +/- .3 dB DC-1000 MHz 12 dB +/- .5 dB 1000-2000 MHz	1.2:1	SMA female
50PD-293	50 Ohms	4-Way	DC-4000 MHz	+/- .7 dB	12 dB +/- .75 dB	1.5:1	SMA female
50PD-028	50 Ohms	5-Way	DC-1500 MHz	+/- .2 dB DC-1000 MHz +/- .3 dB 1000-1500 MHz	14 dB +/- .3 dB DC-1000 MHz 14 dB +/- .5 dB 1000-1500 MHz	1.2:1	SMA female

Common Specifications

Input Power	Peak Power	Operating Temperature
2 Watts average @ 25° C	100 Watts (1 microsecond)	-40° C to +85° C



CONFIG.	CONN. USED
2 WAY	1,3,5
3 WAY	1,3,4,5
4 WAY	1,2,3,5,6
5 WAY	1,2,3,4,5,6

This catalog represents only 10% of our products. For YOUR application, please contact JFW at 1-877-887-4JFW