

Reactive Power Dividers/Combiners

Standard SMA Only/Small Package

Model	Configuration	Frequency Range	Power Division Asymmetry	Insertion Loss	VSWR Maximum	Phase Balance	Isolation Minimum
50PD-232	2-Way	800-2200 MHz	+/- .3 dB	.6 dB maximum (above 3 dB split)	1.4:1	+/- 5°	20 dB
50PD-233	4-Way	800-2200 MHz	+/- .4 dB	.8 dB maximum (above 6 dB split)	1.5:1	+/- 5°	20 dB
50PD-234	8-Way	800-2200 MHz	+/- .4 dB	1 dB maximum (above 9 dB split)	1.5:1	+/- 5°	20 dB

Wideband SMA Only/Small Package

Model	Configuration	Frequency Range	Power Division Asymmetry	Insertion Loss	VSWR Maximum	Phase Balance	Isolation Minimum
50PD-254	2-Way	800-3000 MHz	+/- .3 dB	.6 dB maximum (above 3 dB split)	1.4:1	+/- 5°	20 dB
50PD-525	3-Way	800-3000 MHz	+/- .3 dB	.6 dB maximum (above 4.8 dB split)	1.5:1	+/- 5°	20 dB
50PD-255	4-Way	800-3000 MHz	+/- .4 dB	1 dB maximum (above 6 dB split)	1.5:1	+/- 5°	20 dB
50PD-282	8-Way	800-3000 MHz	+/- .4 dB	1.2 dB maximum (above 9 dB split)	1.5:1	+/- 5°	20 dB

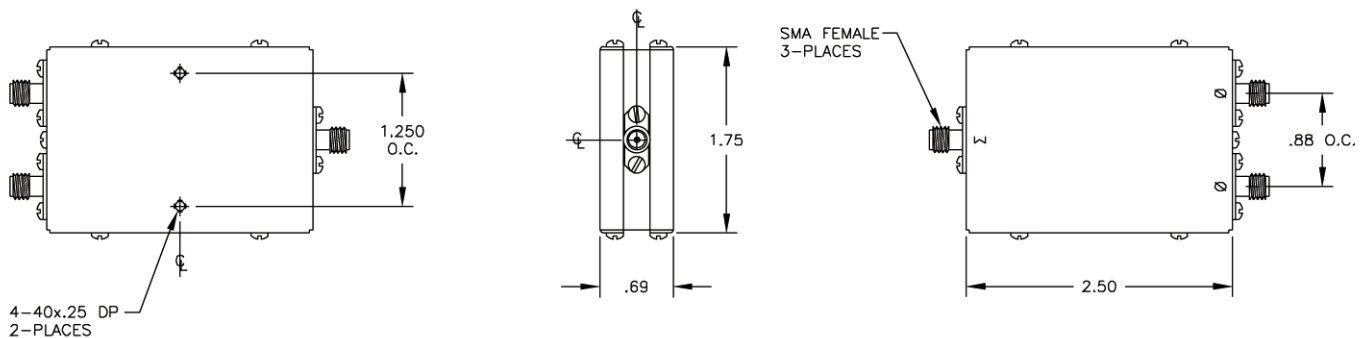
High Isolation SMA Only/Small Package

Model	Configuration	Frequency Range	Power Division Asymmetry	Insertion Loss	VSWR Maximum	Phase Balance	Isolation Minimum
50PD-495	2-Way	800-2200 MHz	+/- .1 dB	.3 dB maximum (above 3 dB split)	1.2:1	+/- 1°	30 dB
50PD-496	4-Way	800-2200 MHz	+/- .15 dB	.6 dB maximum (above 6 dB split)	1.35:1	+/- 3°	27 dB
50PD-497	8-Way	800-2200 MHz	+/- .3 dB	.9 dB maximum (above 9 dB split)	1.4:1	+/- 5°	27 dB

Common Specifications

Impedance	Matched Input Power	Operating Temperature	RF Connectors
50 Ohms	5 Watts average @ 25° C 100 Watts peak (1 μSec)	-40° C to +85° C	SMA female

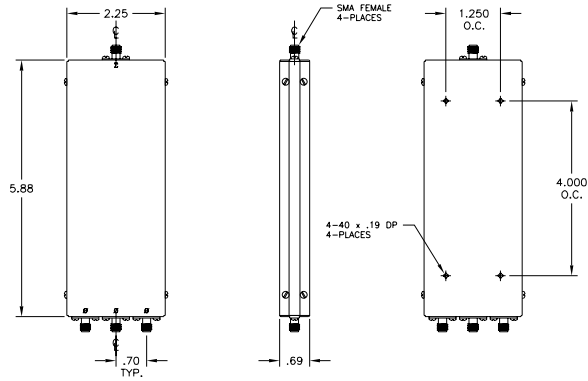
50PD-232 / 50PD-254 / 50PD-495



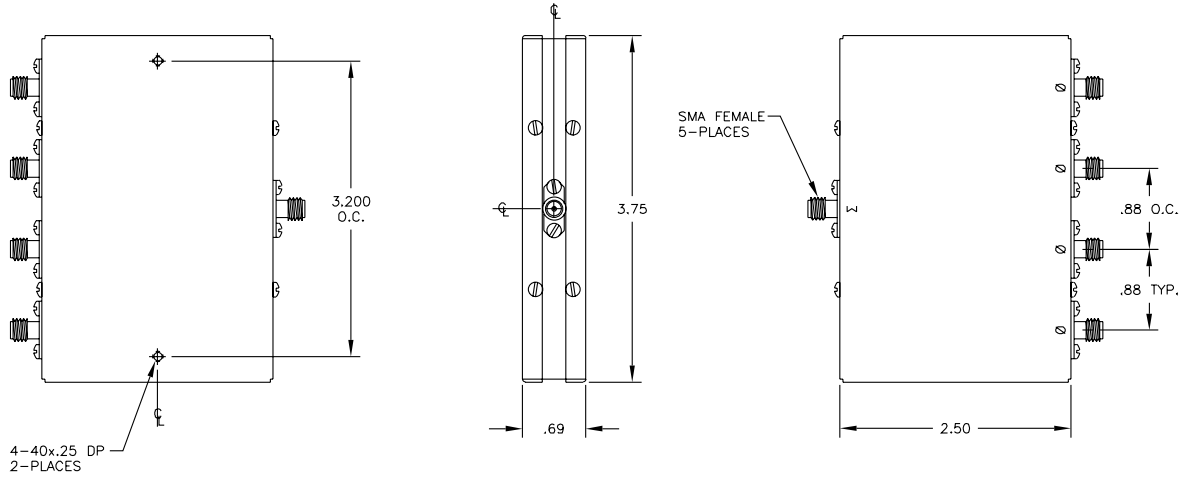
This catalog represents only 10% of our products. For YOUR application, please contact JFW at 1-877-887-4JFW

Reactive Power Dividers/Combiners

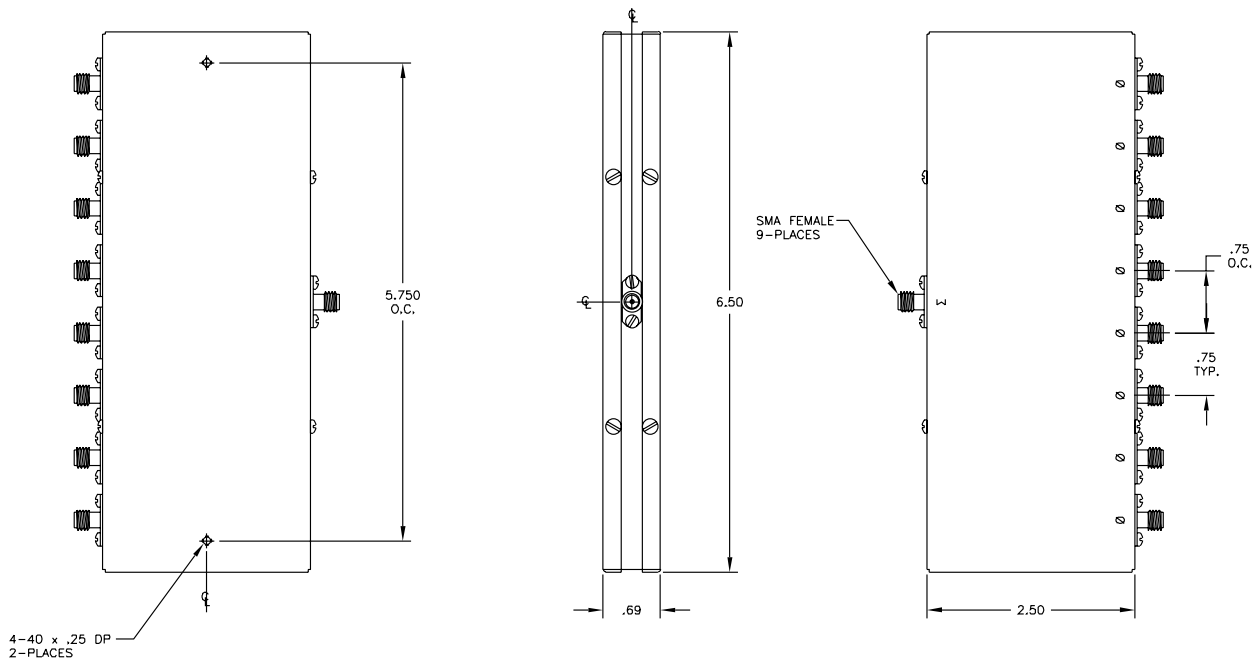
50PD-525



50PD-233 / 50PD-255 / 50PD-496



50PD-234 / 50PD-282 / 50PD-497



This catalog represents only 10% of our products. For YOUR application, please contact JFW at 1-877-887-4JFW