

4.3 GHz Wide Band Solid State Coaxial Switches

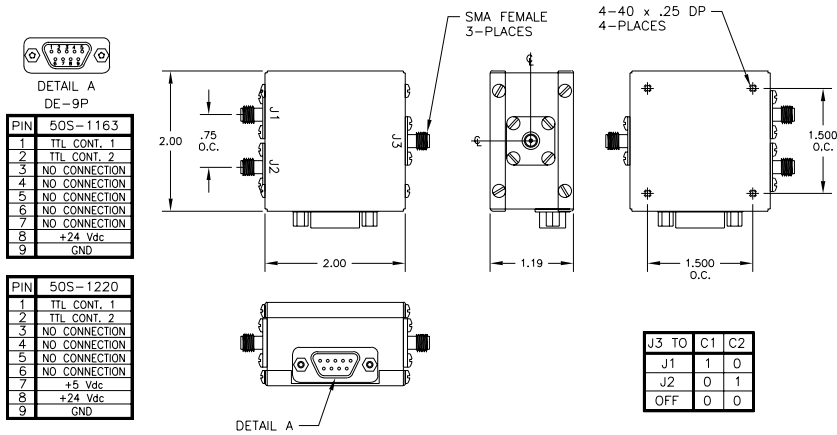
Model	Configuration	Frequency Range	Isolation Minimum	VSWR Maximum	Insertion Loss Maximum	Control Connector	RF Connectors
50S-1163	1P2T	20-4300 MHz	80 dB 20-1000 MHz 70 dB 1000-2000 MHz 60 dB 2000-4000 MHz 55 dB 4000-4300 MHz	1.5:1	1.5 dB 20-1000 MHz 3 dB 1000-4300 MHz	DE-9P	SMA female
50S-1220	1P2T	20-4300 MHz	80 dB 20-1000 MHz 70 dB 1000-2000 MHz 60 dB 2000-4000 MHz 55 dB 4000-4300 MHz	1.5:1	1.5 dB 20-1000 MHz 3 dB 1000-4300 MHz	DE-9P	SMA female
50S-1035	1P4T	20-4300 MHz	80 dB 20-1000 MHz 70 dB 1000-2000 MHz 60 dB 2000-4000 MHz 55 dB 4000-4300 MHz	1.5:1	2 dB 20-1000 MHz 4 dB 1000-4300 MHz	DE-9P	SMA female
50S-1075	1P4T	20-4300 MHz	75 dB 20-1000 MHz 65 dB 1000-2000 MHz 55 dB 2000-4300 MHz	1.5:1	2 dB 20-1000 MHz 4 dB 1000-4300 MHz	DE-9P	SMA female
50S-1199	1P8T	20-4300 MHz	70 dB to 2000 MHz 50 dB to 4300 MHz	1.5:1	2 dB 20-1000 MHz 2.5 dB 1000-2000 MHz 3 dB 2000-3000 MHz 4 dB 3000-4300 MHz	3M# 3793-5303	SMA female
50S-1310	1P8T	20-4300 MHz	70 dB to 2000 MHz 50 dB to 4300 MHz	1.5:1	2 dB 20-1000 MHz 2.5 dB 1000-2000 MHz 3 dB 2000-3000 MHz 4 dB 3000-4300 MHz	3M# 3793-5303	SMA female

Model	Impedance	Switching Speed	RF Input Power	Supply Voltage	Control Logic	Operating Temperature
50S-1163	50 Ohms	10 microseconds	+20 dBm 20-100 MHz +30 dBm 100-4300 MHz	+24 Volts @ 50 mA	(2 lines) TTL low-off (reflective) TTL high-on	0° C to +70° C operating -55° C to +90° C storage
50S-1220	50 Ohms	10 microseconds	+20 dBm 20-100 MHz +30 dBm 100-4300 MHz	+24 Volts @ 50 mA +5 Vdc @ 50 mA	(2 lines) TTL low-off ports are internally terminated into 50 Ohms TTL high-on	0° C to +70° C operating -55° C to +90° C storage
50S-1035	50 Ohms	10 microseconds	+20 dBm 20-100 MHz +30 dBm 100-4300 MHz	+24 Vdc @ 50 mA	(4 lines) TTL low-off (reflective) TTL high-on	0° C to +70° C operating -55° C to +90° C storage
50S-1075	50 Ohms	10 microseconds	+20 dBm 20-100 MHz +30 dBm 100-4300 MHz	+24 Vdc @ 150 mA +5 Vdc @ 100 mA	(4 lines) TTL low-off ports are internally terminated into 50 Ohms TTL high-on	0° C to +70° C operating -55° C to +90° C storage
50S-1199	50 Ohms	10 microseconds	+20 dBm 20-100 MHz +30 dBm 100-4300 MHz	+24 Vdc @ 100 mA +5 Vdc @ 100 mA	(4 lines) TTL low-off (reflective) TTL high-on	0° C to +70° C operating -55° C to +90° C storage
50S-1310	50 Ohms	10 microseconds	+20 dBm 20-100 MHz +30 dBm 100-4300 MHz	+24 Vdc @ 200 mA +5 Vdc @ 150 mA	(4 lines) TTL low-off ports are internally terminated into 50 Ohms TTL high-on	0° C to +70° C operating -55° C to +90° C storage

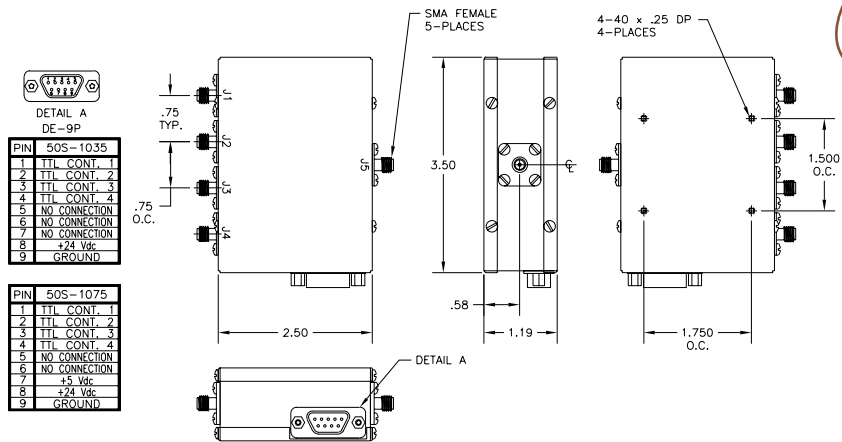
This catalog represents only 10% of our products. For YOUR application, please contact JFW at 1-877-887-4JFW

4.3 GHz Wide Band Solid State Coaxial Switches

50S-1163 / 50S-1220

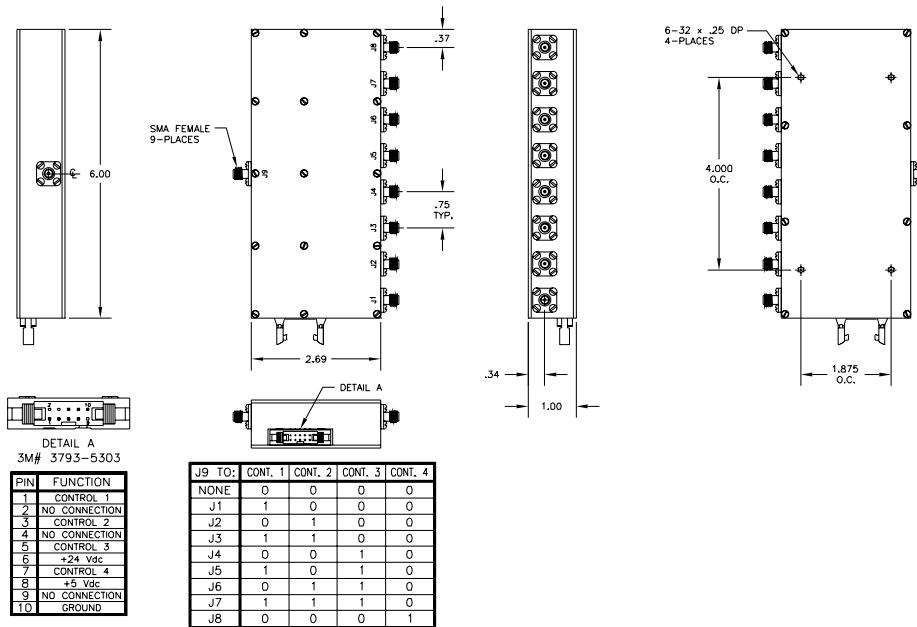


50S-1035 / 50S-1075



For a DC mating cable, see page 7-12

50S-1199 / 50S-1310



This catalog represents only 10% of our products. For YOUR application, please contact JFW at 1-877-887-4JFW