

# Wideband Solid State Coaxial Switches

Model	Configuration	Frequency Range	Isolation Minimum	VSWR Maximum	Insertion Loss Maximum	Control Connector	RF Connectors
50S-642	1P1T	5-3000 MHz	80 dB 5-500 MHz 60 dB 500-3000 MHz	1.4:1	2 dB	solder terminals	SMA female
50S-785	1P1T	20-2000 MHz	60 dB	1.4:1	1.5 dB	solder terminals	SMA female
50S-1324	1P1T	800-2200 MHz	55 dB	1.4:1	1.5 dB	solder terminals	SMA female
50S-1337	1P1T	800-3000 MHz	50 dB	1.5:1	1.25 dB 800-1000 MHz 2.25 dB 1000-3000 MHz	solder terminals	SMA female
50S-348	1P2T	5-2000 MHz	60 dB 5-1000 MHz 50 dB 1000-2000 MHz	1.4:1	1 dB 5-1000 MHz 1.5 dB 1000-2000 MHz	solder terminals	SMA female
50S-979	1P2T	5-2500 MHz	60 dB 5-1000 MHz 50 dB 1000-2200 MHz 45 dB 2200-2500 MHz	1.4:1	1 dB 5-1000 MHz 1.5 dB 1000-2200 MHz 2 dB 2200-2500 MHz	solder terminals	SMA female
50S-976	1P2T	750-4300 MHz	50 dB 750-2000 MHz 40 dB 2000-3500 MHz 30 dB 3500-4300 MHz	1.4:1	1.5 dB	solder terminals	SMA female
50S-349	1P3T	5-2000 MHz	60 dB 5-1000 MHz 50 dB 1000-2000 MHz	1.4:1	1 dB 5-1000 MHz 1.5 dB 1000-2000 MHz	solder terminals	SMA female

Absorptive

Absorptive

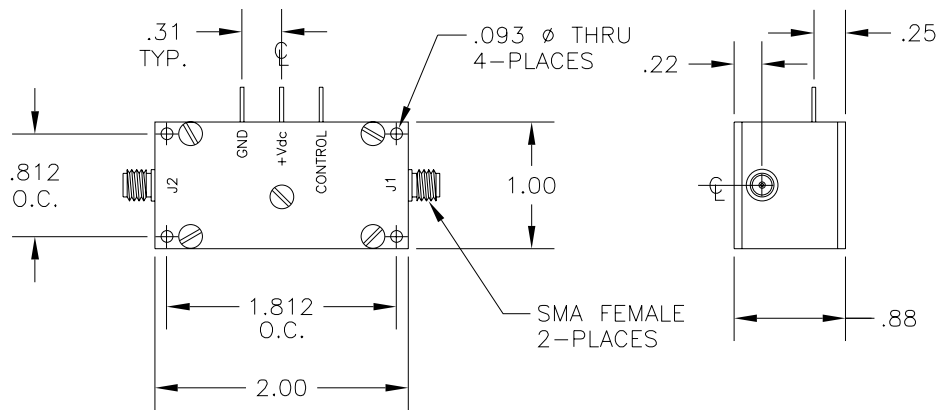
Absorptive

Model	Impedance	Switching Speed	RF Input Power	Supply Voltage	Control Logic	Operating Temperature
50S-642	50 Ohms	20 microseconds	+10 dBm 5-1500 MHz +20 dBm 1500-3000 MHz	+5 Vdc @ 100 mA	(1 line) TTL low-off (reflective) TTL high-on	0° C to +70° C
50S-785	50 Ohms	500 nanoseconds	+10 dBm	+5 Vdc @ 125 mA	(1 line) TTL low-off (reflective) TTL high-on	0° C to +70° C
50S-1324	50 Ohms	10 microseconds	+20 dBm	+5 Vdc @ 150 mA	(1 line) TTL low-on ports are internally terminated into 50 Ohms (both ports) TTL high-off	0° C to +70° C
50S-1337	50 Ohms	500 nanoseconds	+20 dBm	+5 Vdc @ 100 mA	(1 line) TTL low-off ports are internally terminated into 50 Ohms (both ports) TTL high-on	0° C to +70° C
50S-348	50 Ohms	5 microseconds	+5 dBm	+5 Vdc @ 150 mA	(2 lines) TTL low-off (reflective) TTL high-on	0° C to +70° C
50S-979	50 Ohms	5 microseconds	+10 dBm	+5 Vdc @ 150 mA	(2 lines) TTL low-off ports are internally terminated into 50 Ohms TTL high-on	0° C to +70° C
50S-976	50 Ohms	5 microseconds	+10 dBm	+5 Vdc @ 150 mA	(2 lines) TTL low-off (reflective) TTL high-on	0° C to +70° C
50S-349	50 Ohms	5 microseconds	+5 dBm	+5 Vdc @ 150 mA	(3 lines) TTL low-off (reflective) TTL high-on	0° C to +70° C

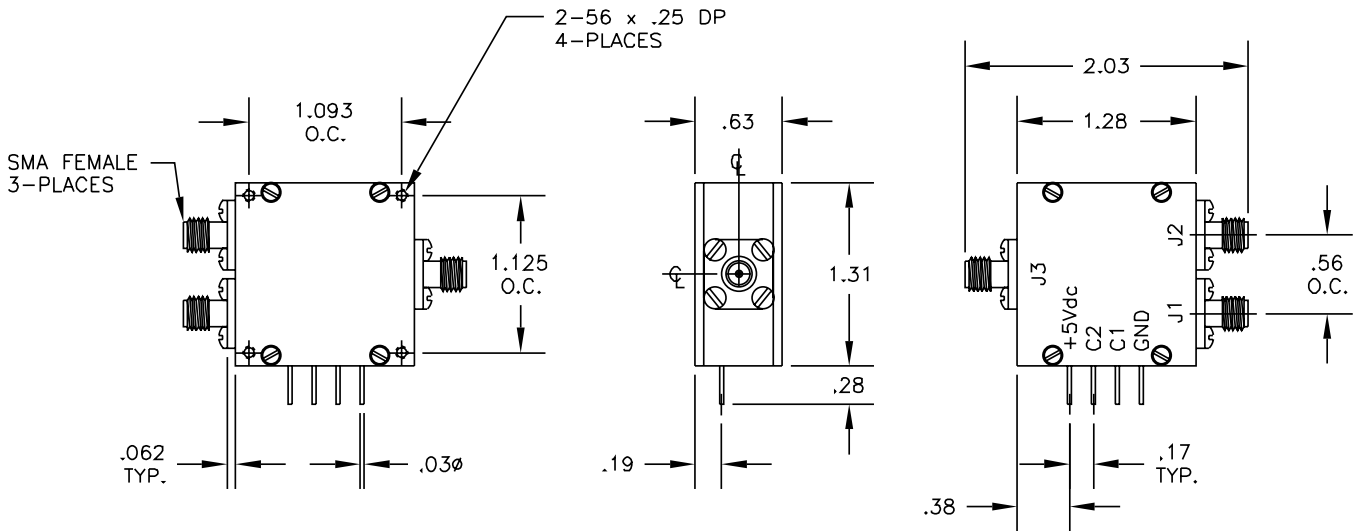
This catalog represents only 10% of our products. For YOUR application, please contact JFW at 1-877-887-4JFW

# Wideband Solid State Coaxial Switches

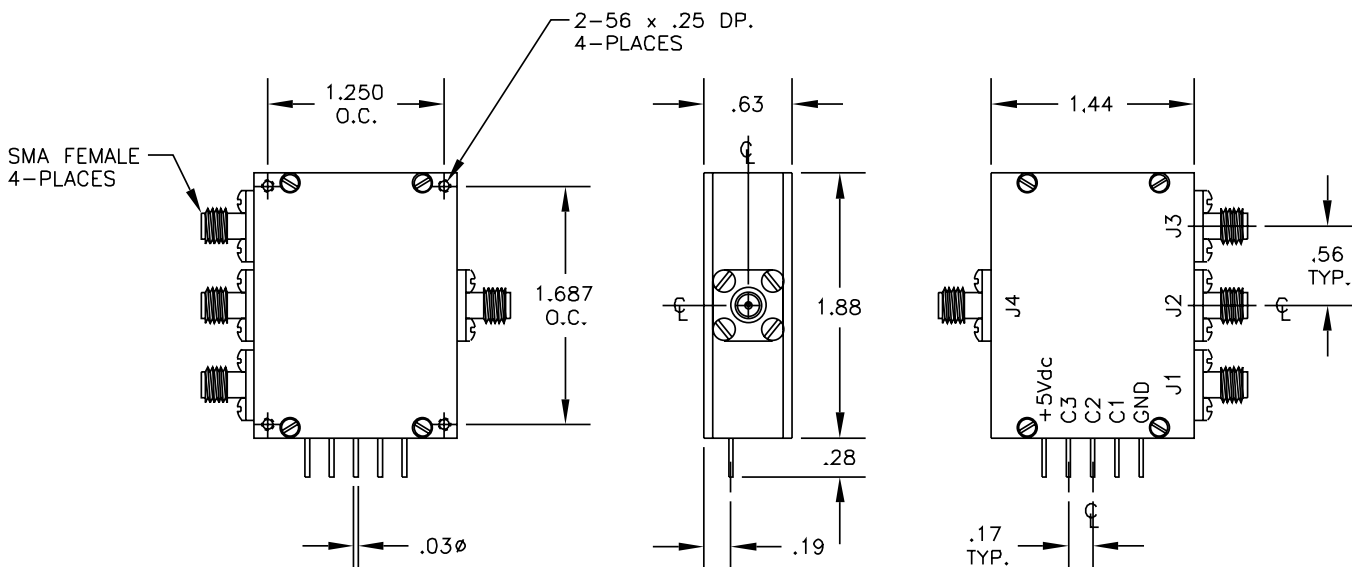
50S-642 / 50S-785 / 50S-1324 / 50S-1337



50S-348 / 50S-976 / 50S-979



50S-349



This catalog represents only 10% of our products. For YOUR application, please contact JFW at 1-877-887-4JFW