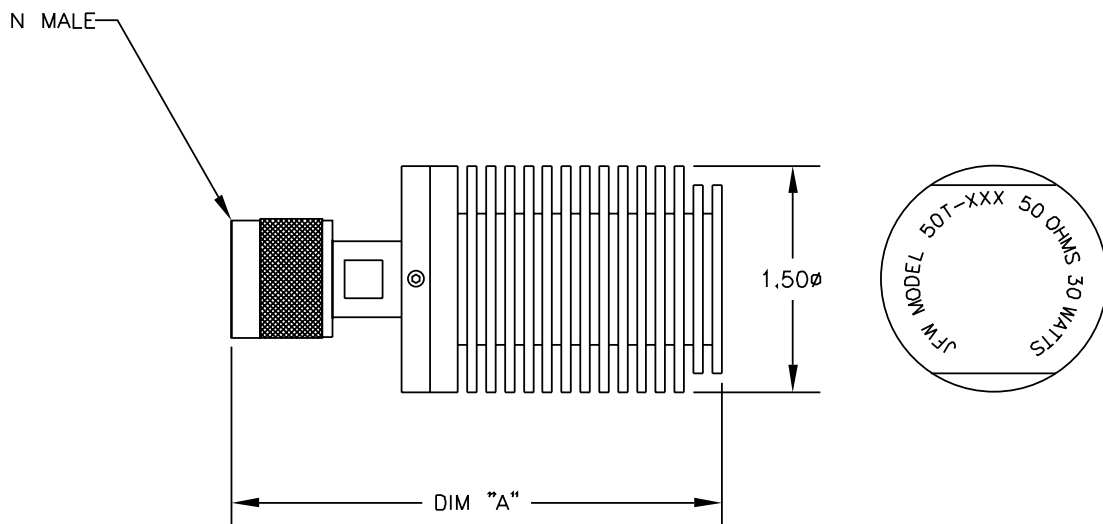


# 30 Watt Terminations

Model	Impedance	Frequency Range	VSWR Maximum	Input Power	Peak Power	Operating Temperature	RF Connectors
50T-054	50 Ohms	DC-1200 MHz	1.06:1 DC-250 MHz 1.1:1 250-500 MHz 1.2:1 500-1200 MHz	30 Watts @ +25° C	3000 Watts (1 microsecond)	-55° C to +85° C	N male
50T-055	50 Ohms	DC-1200 MHz	1.06:1 DC-250 MHz 1.1:1 250-500 MHz 1.2:1 500-1200 MHz	30 Watts @ +25° C	3000 Watts (1 microsecond)	-55° C to +85° C	N female
50T-056	50 Ohms	DC-1200 MHz	1.06:1 DC-250 MHz 1.1:1 250-500 MHz 1.2:1 500-1200 MHz	30 Watts @ +25° C	3000 Watts (1 microsecond)	-55° C to +85° C	BNC male
50T-057	50 Ohms	DC-1200 MHz	1.06:1 DC-250 MHz 1.1:1 250-500 MHz 1.2:1 500-1200 MHz	30 Watts @ +25° C	3000 Watts (1 microsecond)	-55° C to +85° C	BNC female
50T-058	50 Ohms	DC-1200 MHz	1.06:1 DC-250 MHz 1.1:1 250-500 MHz 1.2:1 500-1200 MHz	30 Watts @ +25° C	3000 Watts (1 microsecond)	-55° C to +85° C	TNC male
50T-059	50 Ohms	DC-1200 MHz	1.06:1 DC-250 MHz 1.1:1 250-500 MHz 1.2:1 500-1200 MHz	30 Watts @ +25° C	3000 Watts (1 microsecond)	-55° C to +85° C	TNC female
50T-116	50 Ohms	DC-3500 MHz	1.1:1 DC-500 MHz 1.2:1 500-2000 MHz 1.3:1 2000-3500 MHz	30 Watts @ +25° C	3000 Watts (1 microsecond)	-55° C to +85° C	N male or female



MODEL #	DIM A
50T-054 N M	3.25
50T-055 N FE	3.20
50T-056 BNC M	2.87
50T-057 BNC FE	2.95
50T-058 TNC M	2.89
50T-059 TNC FE	2.95
50T-116 N FE	3.20
50T-116 N M	3.25

This catalog represents only 10% of our products. For YOUR application, please contact JFW at 1-877-887-4JFW