

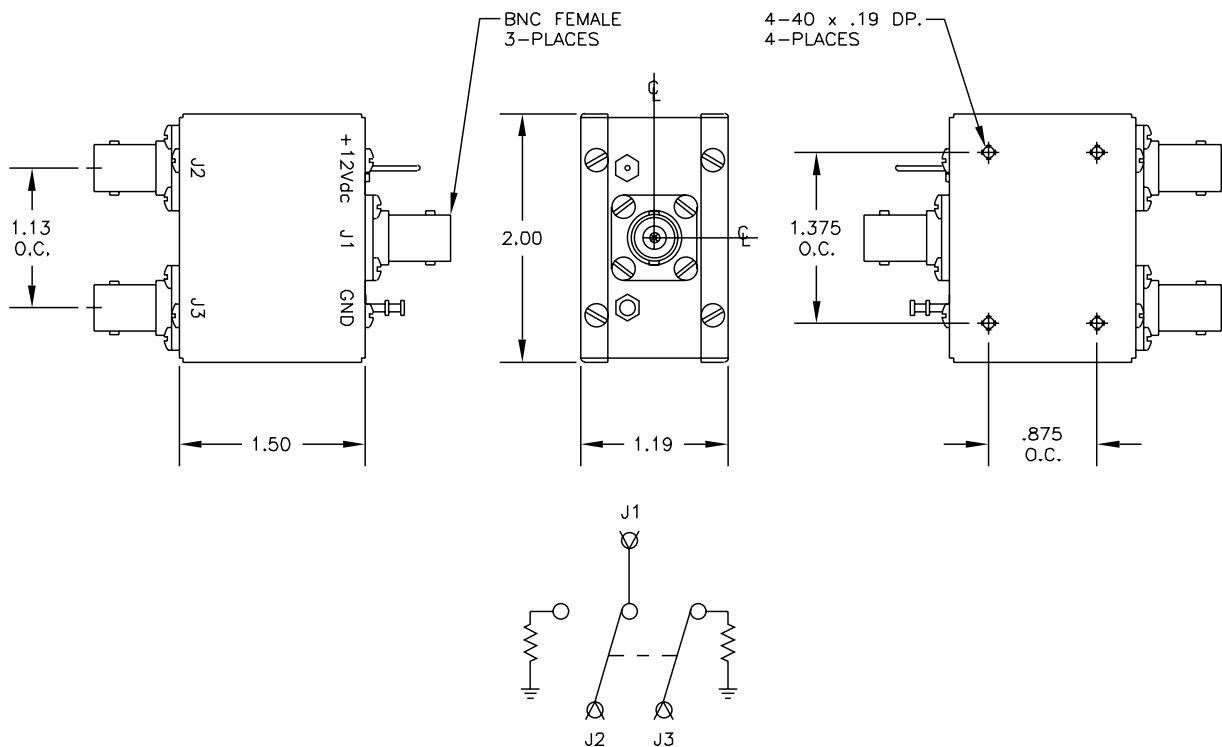
75 Ohm ElectroMechanical Coaxial Switches

All models are Absorptive

Model	Configuration	Frequency Range	Isolation Minimum	VSWR Maximum	Insertion Loss Maximum	Control Connector	RF Connectors
75S-072	1P2T (failsafe)	DC-1450 MHz	50 dB DC-500 MHz 45 dB 500-1450 MHz	1.3:1 DC-500 MHz 1.5:1 500-1450 MHz	.5 dB	solder terminals	BNC or F female
75S-111	1P2T (failsafe)	DC-2000 MHz	50 dB DC-1000 MHz 45 dB 1000-2000 MHz	1.3:1 DC-1000 MHz 1.5:1 1000-2000 MHz	.75 dB DC-1000 MHz 1 dB 1000-2000 MHz	solder terminals	BNC female
75S-087	1P3T (N.O.)	DC-1450 MHz	50 dB DC-500 MHz 45 dB 500-1450 MHz	1.3:1 DC-500 MHz 1.5:1 500-1450 MHz	.5 dB DC-500 MHz .75 dB 500-1450 MHz	solder terminals	BNC or F female
75S-073	1P4T (N.O.)	DC-1450 MHz	50 dB DC-500 MHz 45 dB 500-1450 MHz	1.3:1 DC-500 MHz 1.5:1 500-1450 MHz	.5 dB DC-500 MHz .75 dB 500-1450 MHz	solder terminals	BNC or F female
75S-214	1P8T (failsafe)	DC-1000 MHz	60 dB DC-500 MHz 55 dB 500-1000 MHz	1.25:1	.5 dB	DE-9P	BNC or F female
75S-221	1P8T (failsafe)	DC-2150 MHz	60 dB DC-500 MHz 50 dB 1000-2150 MHz	1.3:1 DC-1000 MHz 1.5:1 1000-2150 MHz	1 dB DC-1000 MHz 2 dB 1000-2150 MHz	DE-9P	BNC or F female

Model	Impedance	Switching Speed	RF Input Power	Control Voltage	Operating Temperature
75S-072	75 Ohms	10 milliseconds	+20 dBm	+12 Vdc @ 35 mA	-20° C to +85° C
75S-111	75 Ohms	10 milliseconds	+20 dBm	+12 Vdc @ 90 mA	-20° C to +85° C
75S-087	75 Ohms	10 milliseconds	+20 dBm	+12 Vdc @ 60 mA	-20° C to +85° C
75S-073	75 Ohms	10 milliseconds	+20 dBm	+12 Vdc @ 60 mA	-20° C to +85° C
75S-214	75 Ohms	10 milliseconds	+20 dBm	+12 Vdc @ 80 mA	-20° C to +85° C
75S-221	75 Ohms	10 milliseconds	+20 dBm	+12 Vdc @ 60 mA	-20° C to +85° C

75S-072 / 75S-111



SHOWN WITH NO POWER APPLIED

This catalog represents only 10% of our products. For YOUR application, please contact JFW at 1-877-887-4JFW