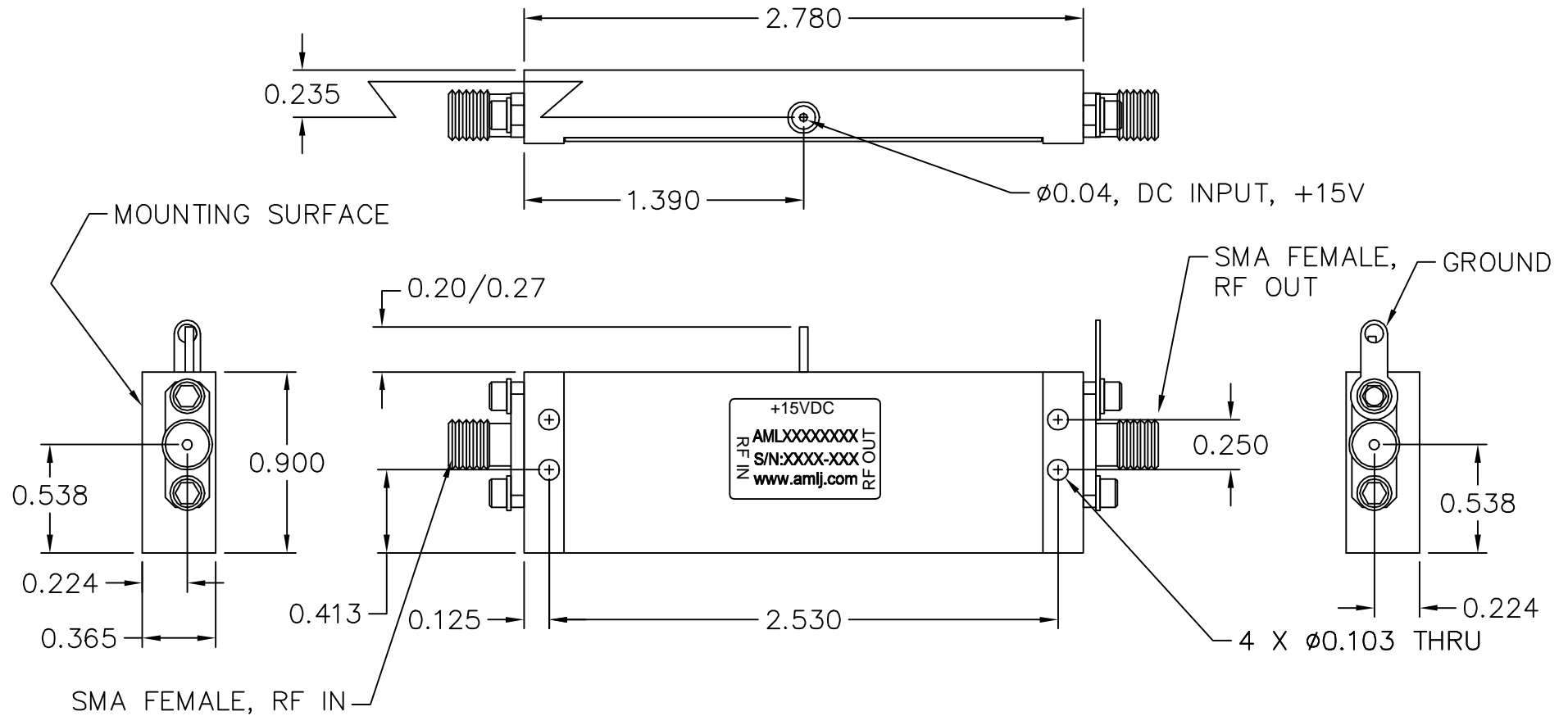


REVISIONS				
ECO#	REV	DESCRIPTION	DATE	APPROVED
	2	UPDATED NOTES	8/30/01	SL



NOTES:
 1. MARK LABEL (003-0231) AS SHOWN. MARK SERIAL NUMBER, DATE CODE AND MODEL NUMBER AS PER TRAVELER.

<small>UNLESS OTHERWISE SPECIFIED DIMENSIONS ARE IN INCHES TOLERANCES ARE: DECIMALS .XX ± 0.01 ANGLES ± 5° .XXX ± .005</small>	 THIRD ANGLE PROJECTION	DRAWN BY SH	CHECK BY SH	TITLE: OUTLINE CATALOG (L5)	 CAMARILLO, CALIFORNIA, USA
		DESIGNED BY SH	APPROVED		
MATERIAL ALUM ALLOY 6061		ENGR		SCALE: 2X	DATE: 10/9/00
FINISH ELECTROLESS NI MIL-C-26074C 0.0003/0.0005 THICK		MFG ENGR		<small>GENERAL FABRICATION NOTES: (UNLESS OTHERWISE NOTED) 1. REMOVE ALL BURRS AND BREAK SHARP EDGES. 2. DIMENSIONS APPLY AFTER FINISH. 3. ALL BENDS TO BE 90°. 4. 63 MAX. MACHINE FINISH.</small>	
DO NOT SCALE DRAWING		RELEASED BY:		<small>GENERAL ASSEMBLY NOTES: (UNLESS OTHERWISE NOTED) 1. ASSEMBLE AS PER WORKMANSHIP REQUIREMENTS OF IPC-A-610, CLASS 2</small>	
				SHEET NUMBER 1 OF 1	SIZE B
				DRAWING NUMBER 002-0086	REV 2