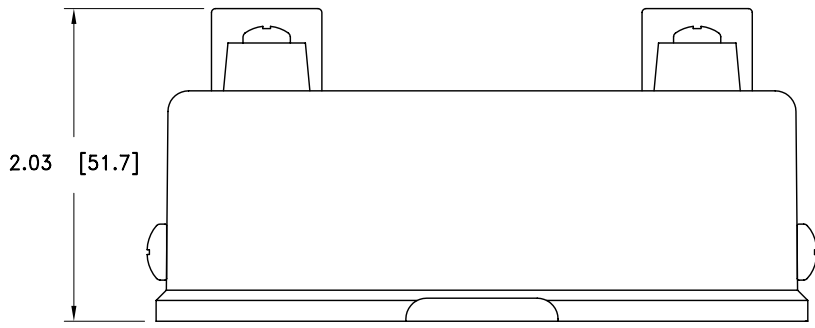
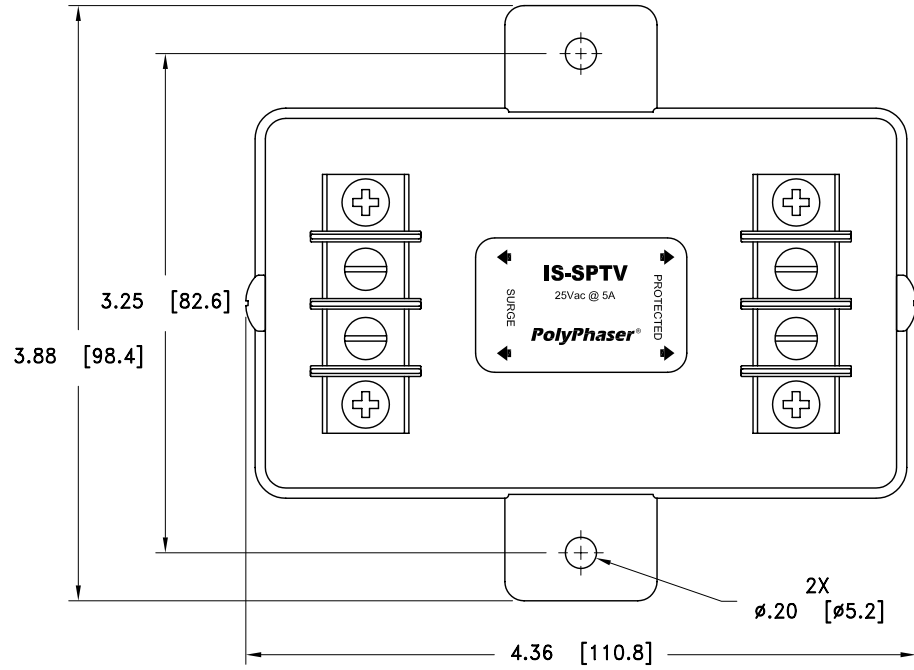
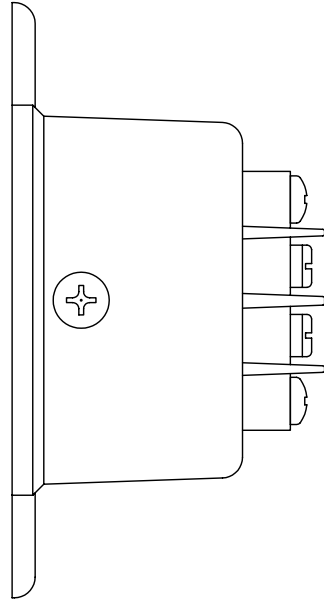


ALL DESIGN, OPERATIVE AND PROCESS DATA PERTAINING TO THE ARTICLE SHOWN ON THIS SHEET IS THE PROPERTY OF POLYPHASER CORPORATION. THE INFORMATION IS NOT TO BE COPIED, REPRODUCED, REVEALED TO OR APPROPRIATED BY OTHERS WITHOUT THE EXPRESS WRITTEN CONSENT OF POLYPHASER CORPORATION.

REVISIONS				
REV LTR	DATE	ENG	MKTG	Q.A.
B	01/16/01 _{IB}	KCB	PH	RM



MAXIMUM CHARACTERISTICS
RATED VOLTAGE: ±31Vdc; 25Vac
TURN-ON: ±39Vdc ±10%
MAX CURRENT: 5Adc
SURGE CAPABILITY: 36kA
SERIES RESISTANCE: <0.1Ω
TEMPERATURE: -40°C TO +85°C

CUSTOMER APPROVAL: _____ DATE: _____

ALL DIMENSIONS SHOWN ABOVE ARE FOR REFERENCE ONLY.

DRAFTER K. MUNRO	DATE 04/19/96	PolyPhaser® P.O. BOX 9000, MINDEN, NV 89423-9000 (775) 782-2511 FAX (775) 782-4476 DWG NO/PART NO/DESCRIPTION IS-SPTV CUSTOMER PRINT			
MECH ENGINEER -	DATE -				
ELEC ENGINEER K. BARTEL	DATE 04/22/96				
MARKETING -	DATE -				
QUALITY DEPT R. MATHEUS	DATE 04/22/96	CAGE CODE 61114	FILE NAME -C1	SCALE 1/1.25	SHEET 1 OF 1