

Seriflex Jumper SX141-50; SX141-50-FEP and SX141-50-HFR (RG402/U)



At SPINNER, you have the option of ordering customized jumpers flexibly and in virtually unlimited variety, according to your particular project requirements. Simply specify the cable type, length, connector combination and quantity when ordering.

A compilation of the most common connectors for this cable type is shown on pages 4 ff.

Electrical Specification				
Impedance	50 Ω			
IM3 (2 x 20 W) <sup>1)</sup>	≤ -150 dBc typ.			
1) Static measurement, Jumper cables with different IM3 values are available on request.				
VSWR <sup>2)</sup>	Length ≤ 2.5 m		Length > 2.5 m	
Frequency range				
≤ 960 MHz	≤ 1.07		≤ 1.09	
≤ 2,200 MHz	≤ 1.10		≤ 1.12	
≤ 2,700 MHz	≤ 1.15		≤ 1.17	
≤ 3,800 MHz	≤ 1.20		≤ 1.22	
2) The given VSWR values are maintained within all global cellular frequency bands.				
	960 MHz	2,200 MHz	2,700 MHz	3,800 MHz
Insertion loss, nominal (20°C cable temperature, values without connectors, typ. connector attenuation is ≤ 0.01 dB)	40.1 dB/100m	64.2 dB/100m	72.2 dB/100m	87.6 dB/100m
max. Power rating (40 °C ambient temperature)				
SX141-50 and SX141-50-FEP	0.42 kW	0.27 kW	0.24 kW	0.20 kW
SX141-50-HFR	0.11 kW	0.07 kW	0.06 kW	0.05 kW

Seriflex Jumper SX141-50; SX141-50-FEP and SX141-50-HFR (RG402/U)

Mechanical Specification						
Minimum bending radius	Single / repeated bending radius 10 mm / 40 mm					
Cable jacket / Nominal outer diameter:						
SX141-50	none		/ 3.6 mm			
SX141-50-FEP	FEP blue		/ 4.1 mm			
SX141-50-HFR	HFR blue		/ 4.6 mm			
Connector	Material		Surface			
Inner conductor	Cu-alloy (SMA female: CuBe)		Ag-plated (SMA: Au-plated)			
Outer conductor	Cu-alloy		Ag-plated (SMA: Au-plated)			
Other metal parts	Cu-alloy		Ni-plated			
Insulation	PTFE					
Sealing	Silicone rubber					
Installation instruction	M30811					
Length definition						
Length [m]	≤ 0.5	> 0.5 – 1.0	> 1.0 – 1.5	> 1.5 – 2.5	> 2.5 – 4.0	> 4.0 – 6.0
Tolerances [mm]	± 5	± 10	± 15	± 25	± 40	± 60

Environmental Specification			
Degree of protection	IP 50		
Recommended temperature range	Storage	Installation	Operation
SX141-50	-65 °C to +180 °C	-20 °C to +70 °C	-65 °C to +165 °C
SX141-50-FEP	-65 °C to +180 °C	-20 °C to +70 °C	-65 °C to +180 °C
SX141-50-HFR	-40 °C to +80 °C	-20 °C to +60 °C	-40 °C to +80 °C
Cable jacket			
SX141-50	Fire retardant acc. to IEC 60332-1-2, IEC 60332-3-24, IEC 61034-2 and UL 1581 VW-1		
SX141-50-FEP	Fire retardant acc. to IEC 60332-1-2 and IEC 61034-2		
SX141-50-HFR	Fire retardant acc. to IEC 60332-1-2 and IEC 61034-2		
RoHS	compliant to directive 2011/65/EU and amendment (EU) 2015/863		

Seriflex Jumper SX141-50; SX141-50-FEP and SX141-50-HFR (RG402/U)

Sales article numbers

Jumper	Cable Type	Cable Size	Cable Jacket	Connector 1	Connector 2	Length	Unit	Length	Extra Features		
<b>J</b>	<b>X</b>	<b>Z</b>	<b>X</b>	<b>-</b>	<b>XZ</b>	<b>XZ</b>	<b>-</b>	<b>X</b>	<b>Z</b>	<b>X</b>	<b>-Z</b>
Seriflex	X		Blank for FEP	Any combination of connectors below is possible. Please specify an XZ combination for connectors 1 and 2. In case of pigtail leave blank for connector 2							Leave blank if not applicable
250-50		250									
141-50		141									
086-50		086									
No Jacket			N								
Halogen Free			H								
X =	Z =			X	Z						
Connector System	Connector Style										
7-16	Male			7	M						
4.1-9.5	Male right angle			41	R						
N	Female (right angle)			N	F(R)						
TNC	Female bulkhead (r. a.)			T	B(R)						
SMA	Female four-hole panel (r. a.)			SA	P(R)						
4.3-10	Male; screw			43	MS						
2.2-5	Male; hand screw			22	MH						
NEX10®	Male; push-pull			X	MP						
	Male right angle; screw				RS						
	Male right angle; hand screw				RH						
	Male right angle; push-pull				RP						
	Female (right angle)				F(R)						
	Female bulkhead (right angle)				B(R)						
	Female four-hole panel (right angle)				P(R)						
Length in meters/feet (depending on unit specified)											
Meters as unit										M	
Feet as unit										F	
Length in decimeters/inches (depending on unit specified)											
Customized Label											L
Jumper set											S

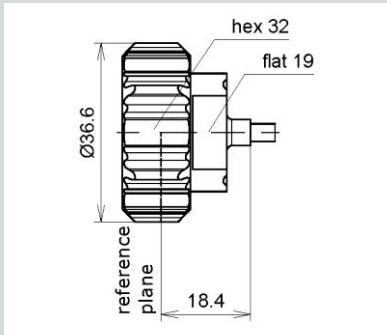
Sales article numbers – Examples for Jumper

- **JX250-7M43RS-2M5**  
Jumper SX250-50FEP, connectors 7-16 male and 4.3-10 male right angle screw type, length 2.5 meter
- **JX141-43MS-1F5**  
Jumper SX141-50FEP, connectors 4.3-10 male screw type and pigtail; length 1 feet 5 inch

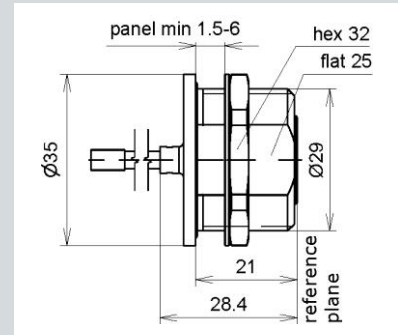
Seriflex Jumper SX141-50; SX141-50-FEP and SX141-50-HFR (RG402/U)

**7-16 connector system (according to IEC 61169-4)**

Plug (7M)

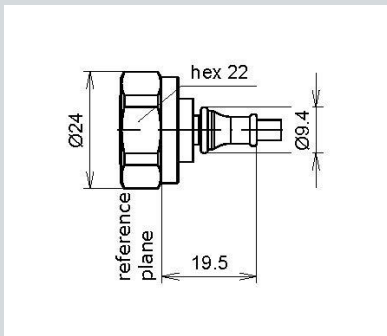


Socket (7B)

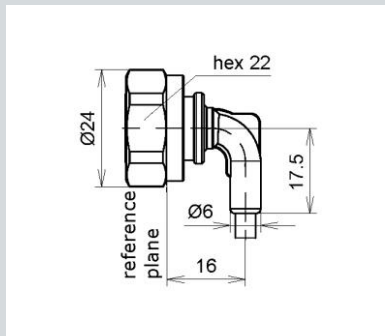


**4.3-10 connector system (according IEC 61169-54)**

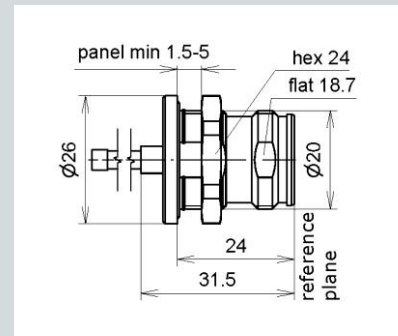
Plug screw (43MS)



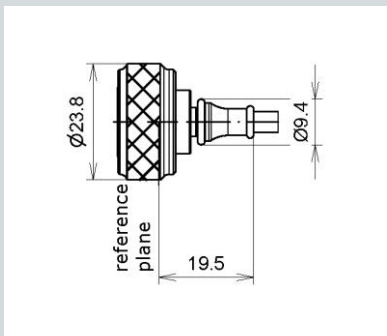
Plug right angle screw (43RS)



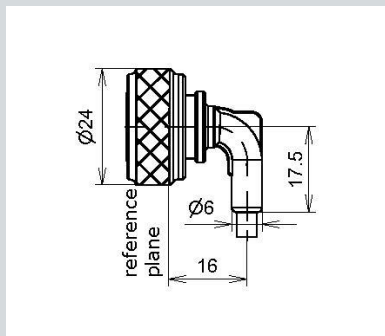
Socket (43B)



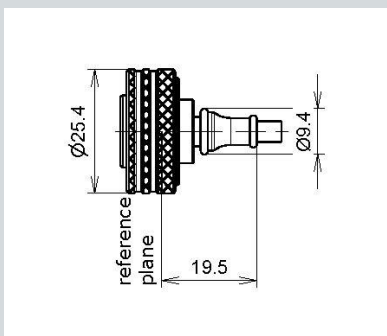
Plug hand-screw (43MH)



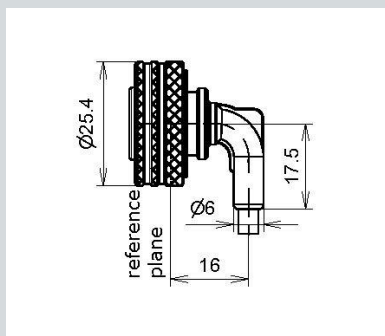
Plug right angle hand-screw (43RS)



Plug push pull (43MP)



Plug right angle push pull (43RP)



Dimensions in mm

Seriflex Jumper SX141-50; SX141-50-FEP and SX141-50-HFR (RG402/U)

**N connector system (according to IEC 61169-16)**

Plug (NM)	Plug right angle (NR)	Socket (NB)

**2.2-5 connector system (according to IEC 61169-66)**

Plug screw (22MS)	Plug right angle screw (22RS)	Socket (22B)

**TNC connector system (according IEC 61169-17)**

Plug (TM)	Plug right angle (TR)	

Dimensions in mm

Seriflex Jumper SX141-50; SX141-50-FEP and SX141-50-HFR (RG402/U)

<b>NEX10 connector system (according to IEC 61169-71)</b>		
Plug screw (XMS)	Plug right angle screw (XRS)	Socket (XB)
<b>SMA connector system (according to IEC 60169-15)</b>		
Plug (SAM)	Plug right angle (SAR)	Socket (SAB)

Dimensions in mm