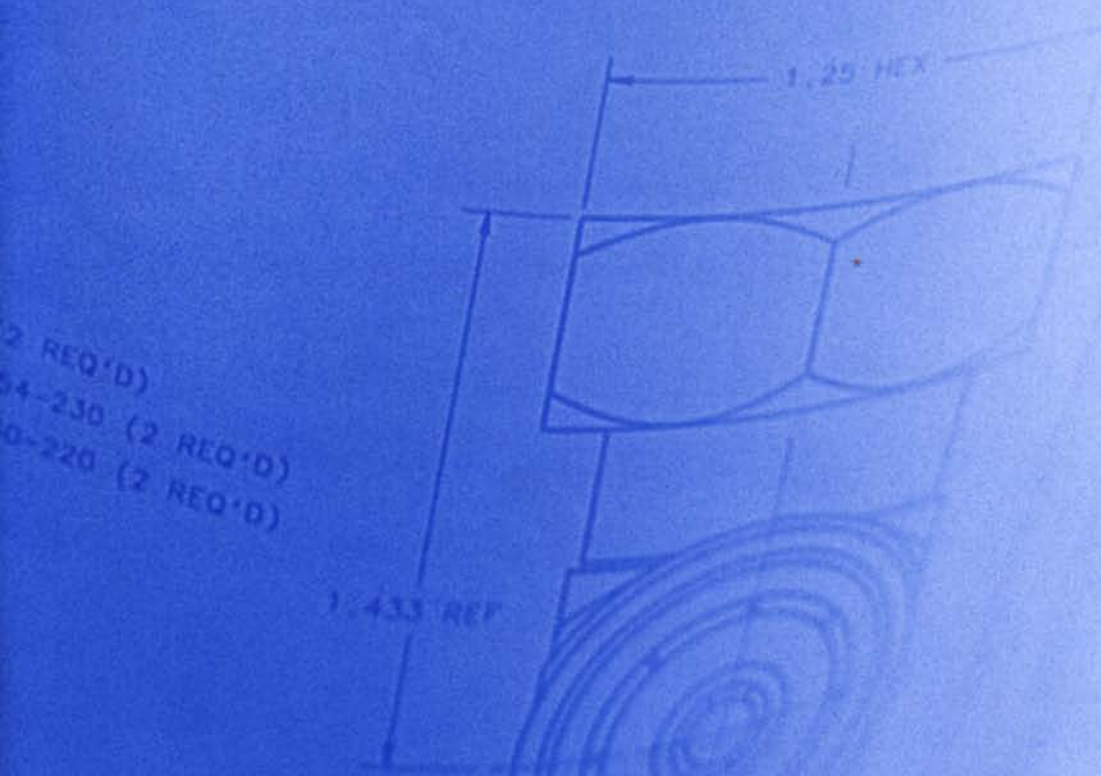


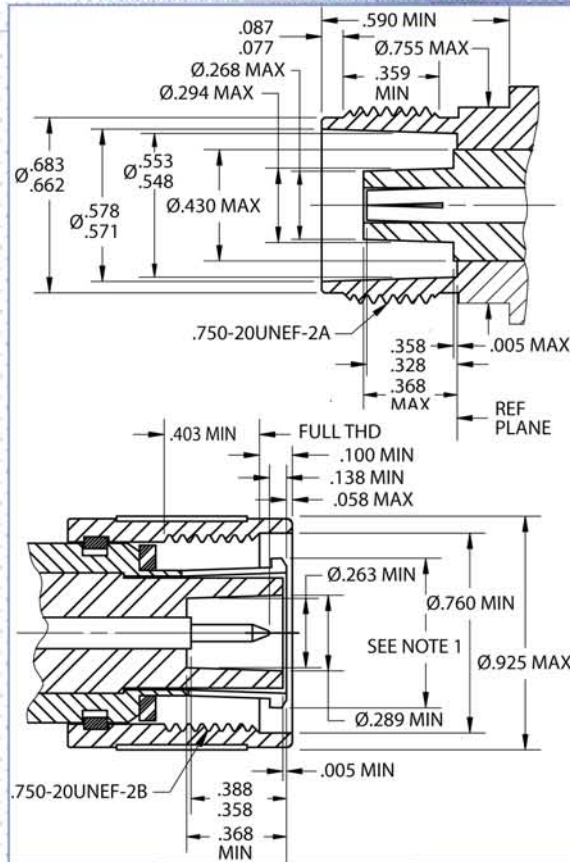


HN Series



HN Series

The Custom Interconnect Leader



ELECTRICAL

Nominal Impedance: 50 ohms
 Frequency Range: DC to 4 GHz
 Voltage Rating: 1,500 volts rms
 Dielectric Withstanding Voltage: 5,000 volts rms
 Insulation Resistance: 5,000 megohms
 VSWR: 1.35 max DC-7GHz

MECHANICAL

Mating Characteristics: per MIL-C-3643
 Connector Durability: 500 cycles min.
 Cable Attachment: Clamp

ENVIRONMENTAL

Temperature Range: -85°F to +329°F (-65°C to +165°C)
 Vibration: MIL-STD-202 Method 204 (Test Cond. B)
 Shock: MIL-STD-202 Method 213 (Test Cond. 1)
 Moisture Resistance: MIL-STD-202 Method 106
 Corrosion (salt spray): MIL-STD-202 Method 101 (Test Cond.B)

MATERIAL / FINISHES

Body: Brass, Silver or Nickel Plated
 Contacts (Inner):
 Female: Beryllium Copper, Silver or Gold Plated
 Male: Brass, Silver or Gold Plated
 Contacts (Outer): Brass, Silver or Nickel Plated
 Beryllium, Silver or Nickel
 Contacts (Slotted): Plated
 Insulators: PTFE or Rexolite
 Gaskets & Seals: Silicone Rubber

Features listed are typical and may vary depending upon cable selection and application.

TRU Corporation offers HN Series connectors are suitable for a wide variety of high voltage applications including etching equipment, sputtering devices, and other wafer processing systems and instrumentation. They are available in many configurations and can be customized to fit any requirement. They are capable of handling up to 5,000 volts, have an impedance of 50 ohms, and a DC to 4 GHz frequency range. They also feature Teflon® dielectric interfaces and long dielectric creep paths. These connectors are covered under MIL-C-3643 and can be manufactured to fit cables from .141 to .5 inch. Standard configurations include right angle and straight plugs, jack, plug receptacles, and in-series and between-series adapters. Complete Cable assemblies are also available.

For leading-edge engineering and custom product designs, look to TRU. Since 1951, we have been providing our customers with quality and cost effective solutions for all of their interconnect applications. We maintain the highest quality standards and manufacture all our products at our modern facility located in Peabody, Massachusetts. Contact your Customer Service Representative today or visit www.trucorporation.com to see why we are "The Custom Interconnect Leader".

Please note that the products displayed are only a sampling of our designs.

Please note that bold model numbers represent the product as shown.

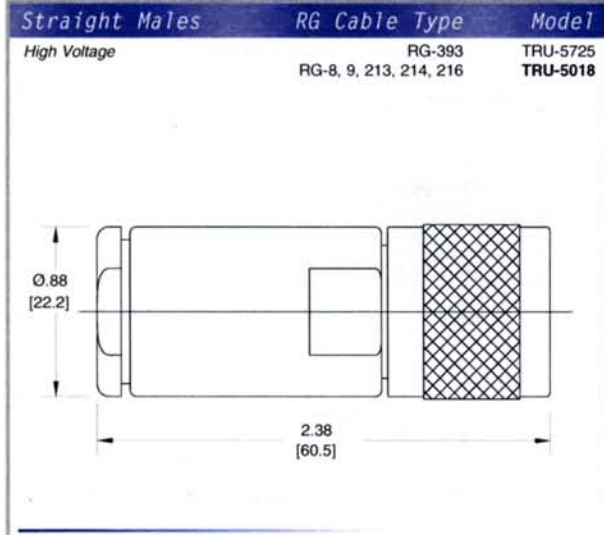
Custom connectors can be manufactured to your own specifications.



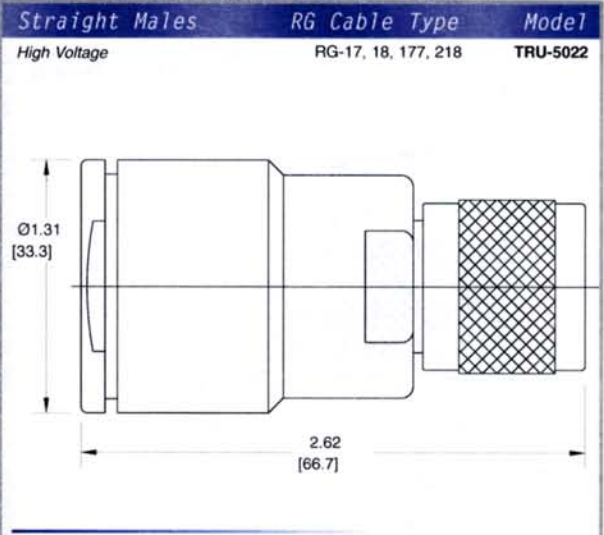
Build Your Own Connector at www.trucorporation.com



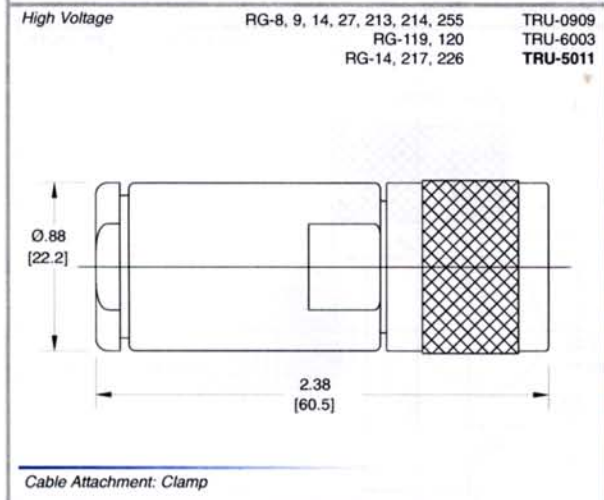
The Custom Interconnect Leader™



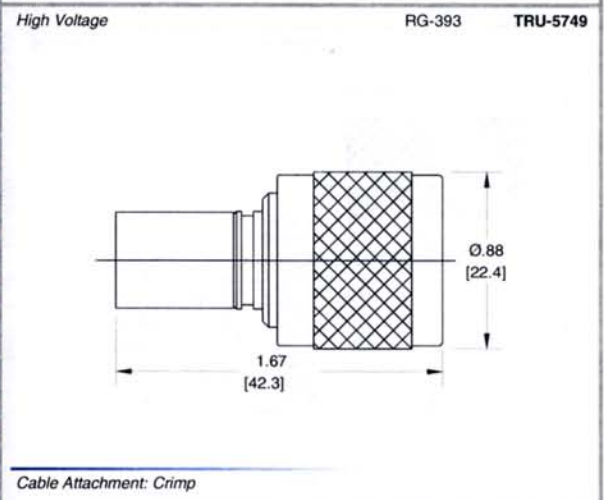
Cable Attachment: Clamp



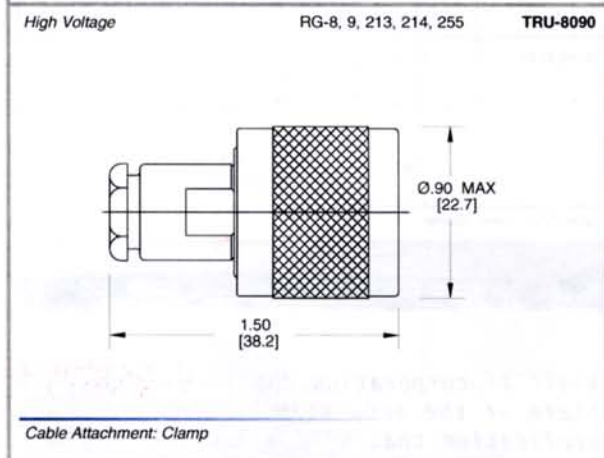
Cable Attachment: Clamp



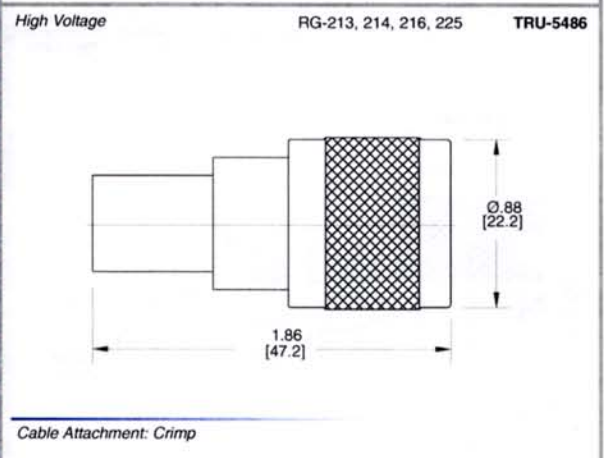
Cable Attachment: Clamp



Cable Attachment: Crimp



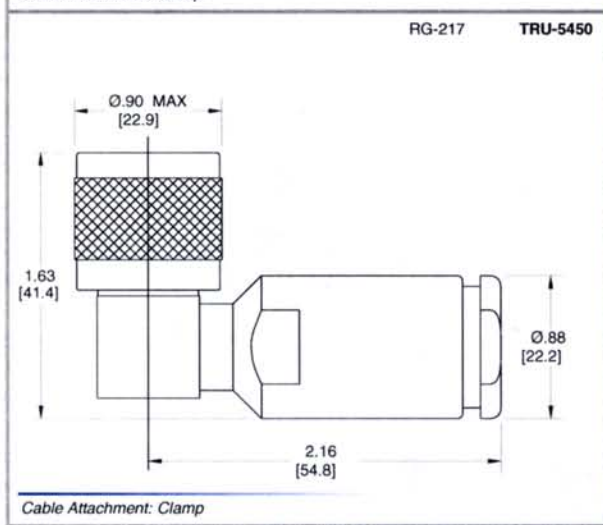
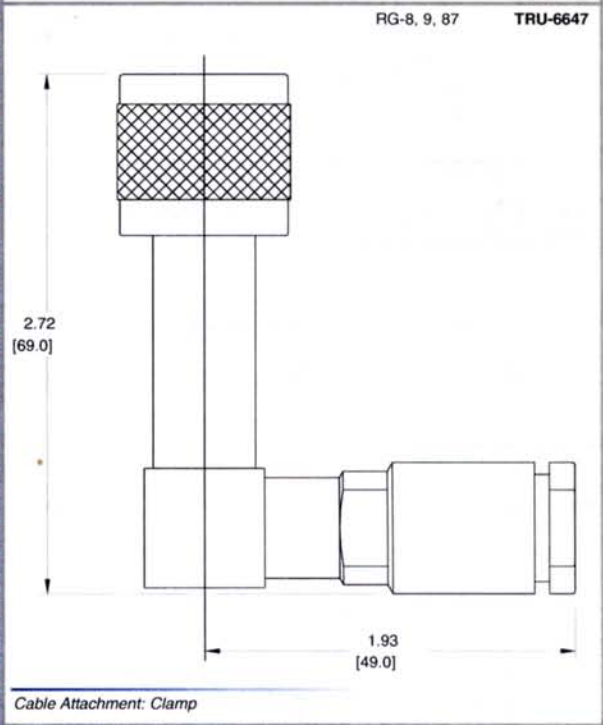
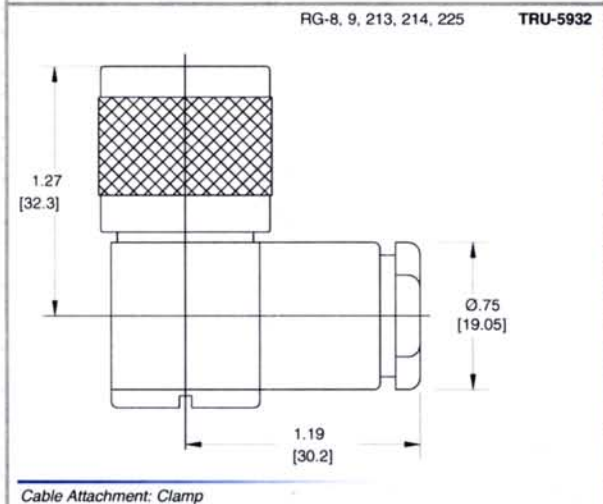
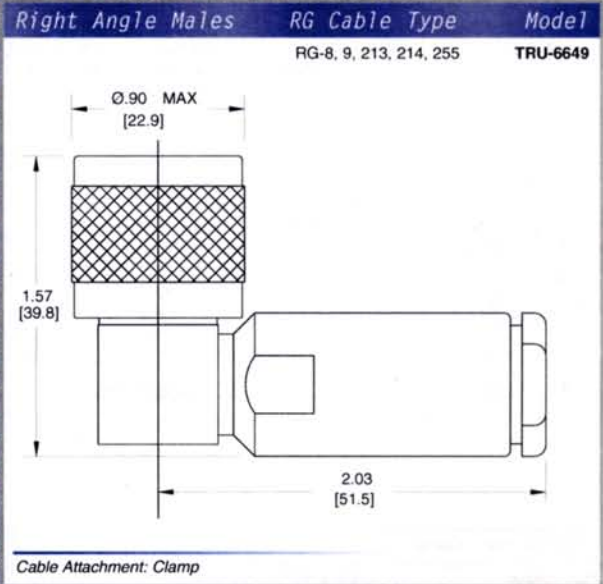
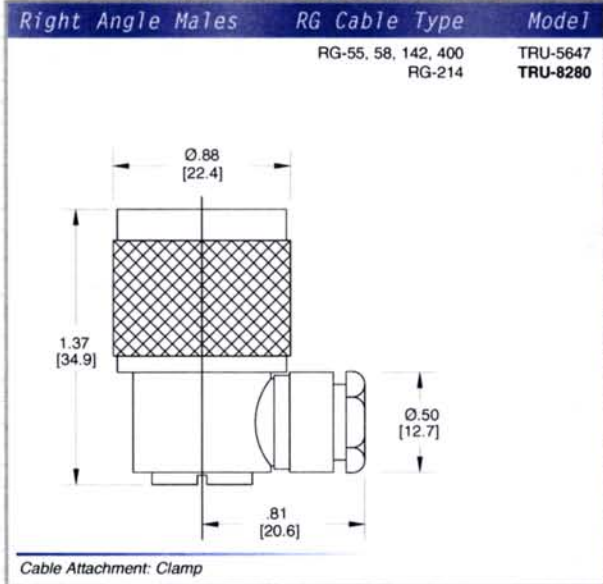
Cable Attachment: Clamp



Cable Attachment: Crimp



The Custom Interconnect Leader™

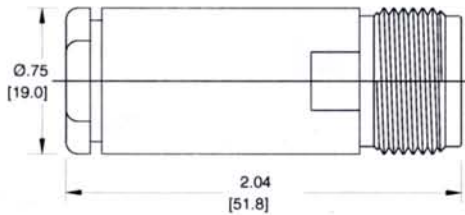


Custom Design Center

Visit trucorporation.com to use our state of the art, step-by-step application that will allow you to quickly identify your connector and/or cable assembly requirements and submit them directly to our sales and technical staff for price and delivery.

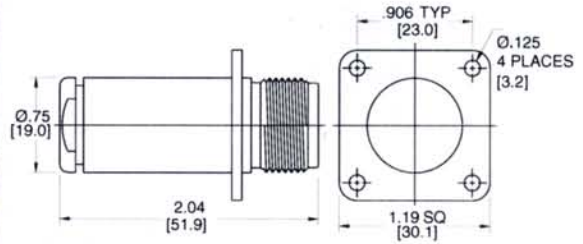


Straight Females	RG Cable Type	Model
High Voltage	RG-393	TRU-8398
	RG-8, 9, 213, 214, 216	TRU-5006



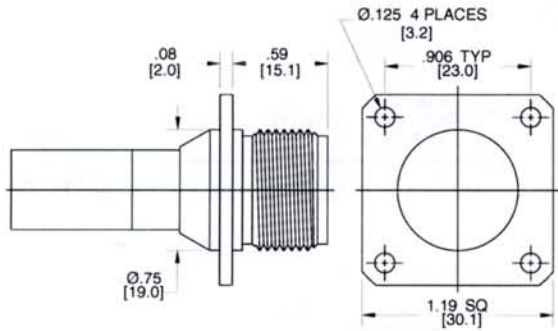
Cable Attachment: Clamp

Straight Females	RG Cable Type	Model
High Voltage	RG-8, 9, 213, 214, 255	TRU-6473
	RG-8, 9, 213, 214, 216	TRU-5020



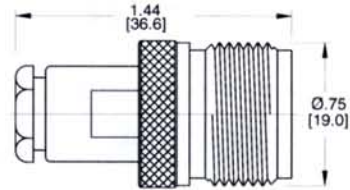
Cable Attachment: Clamp

RG-213, 214, 216, 225	TRU-8332
-----------------------	----------



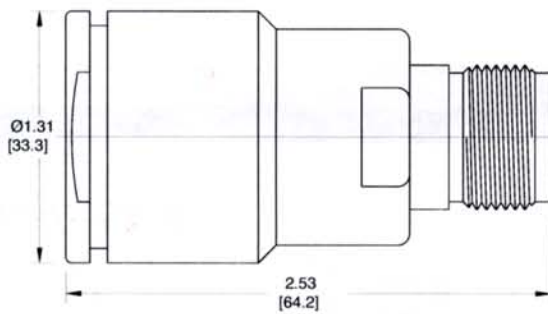
Cable Attachment: Crimp

RG-59, 62, 71, 140, 210	TRU-8375
-------------------------	----------



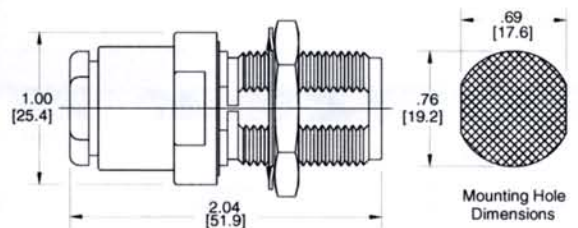
Cable Attachment: Clamp

RG-17, 18	TRU-0910
-----------	----------

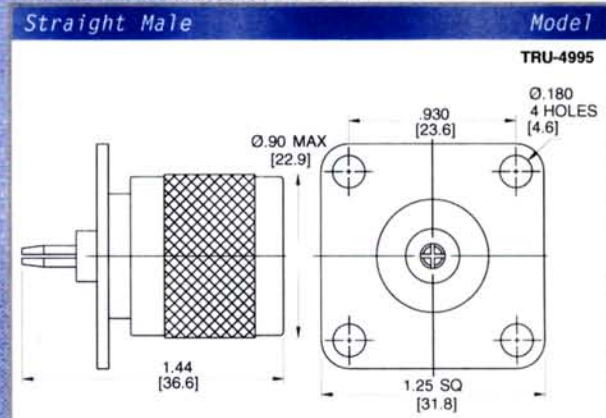
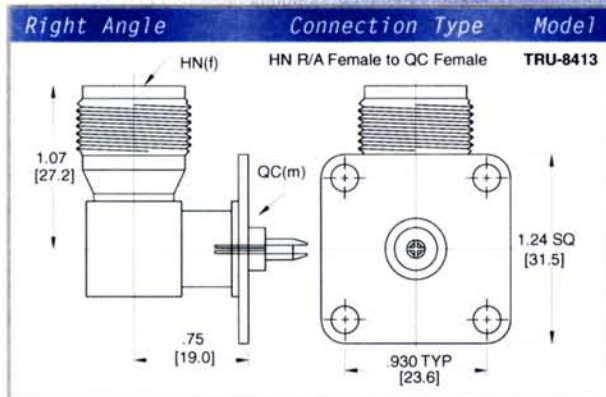
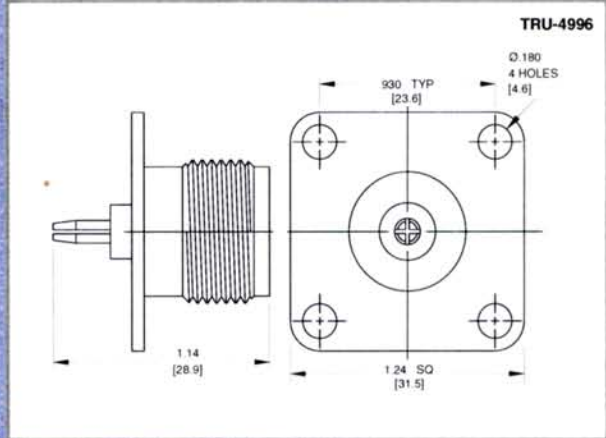
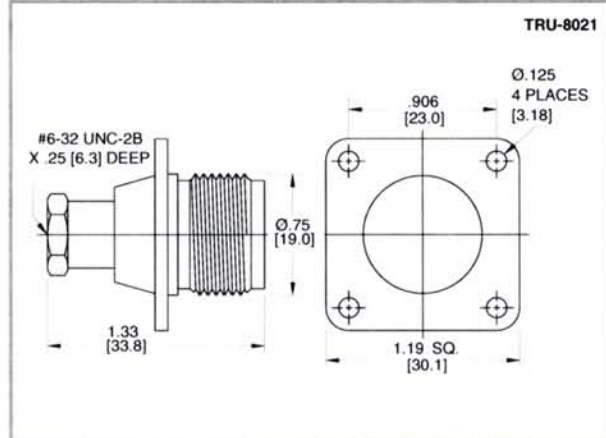
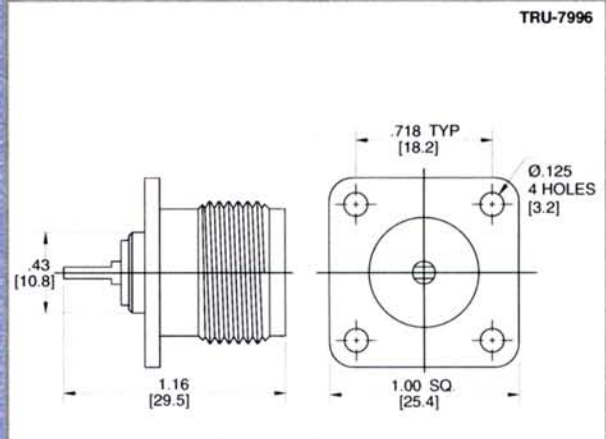
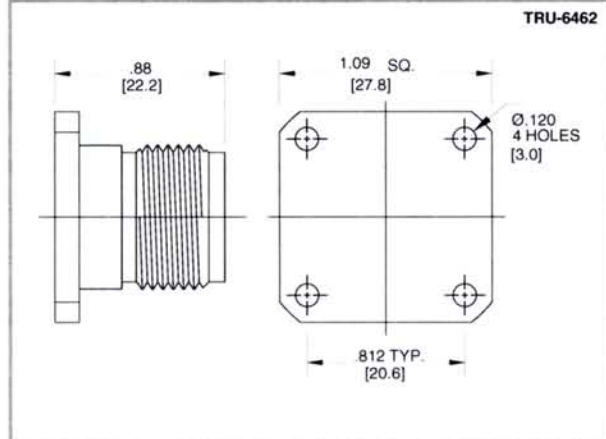
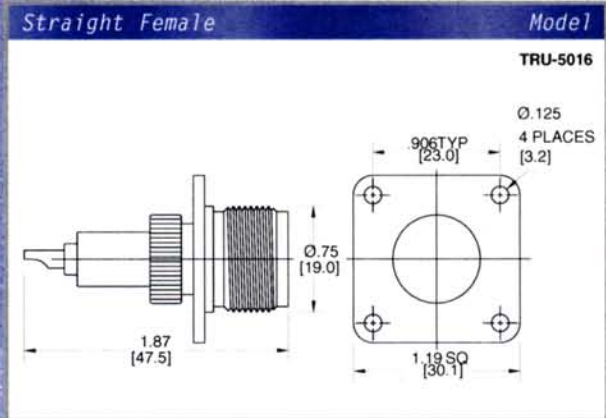
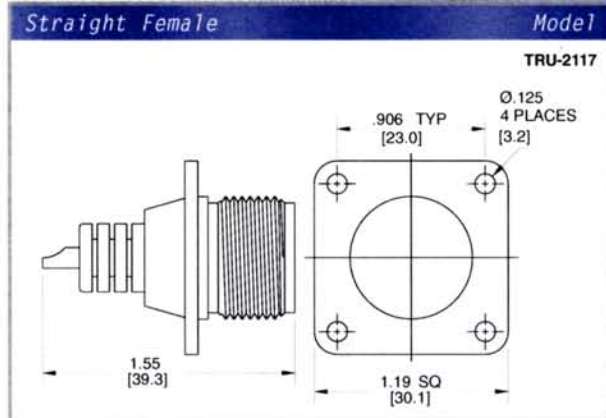


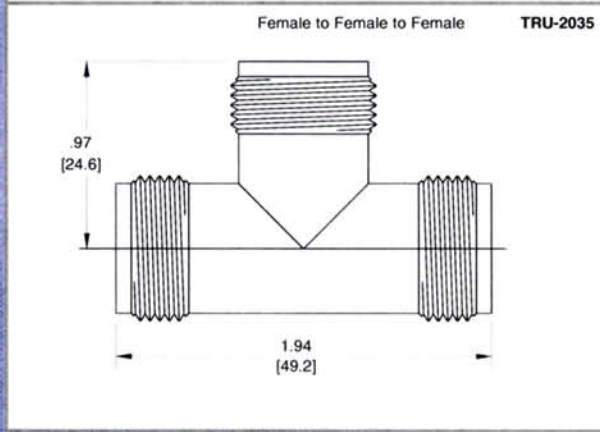
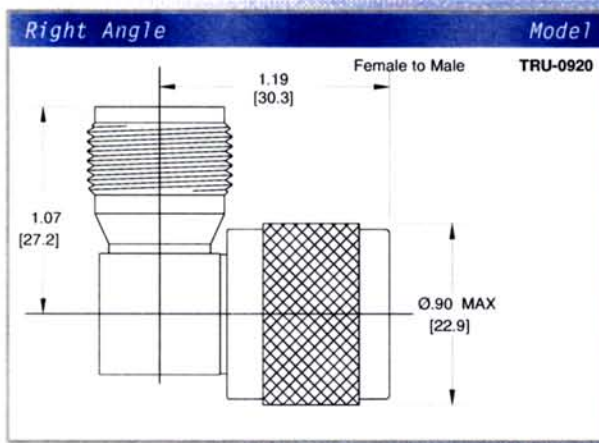
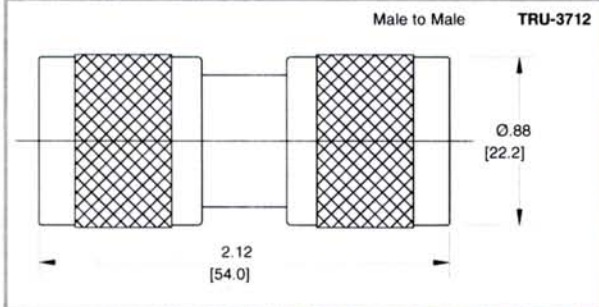
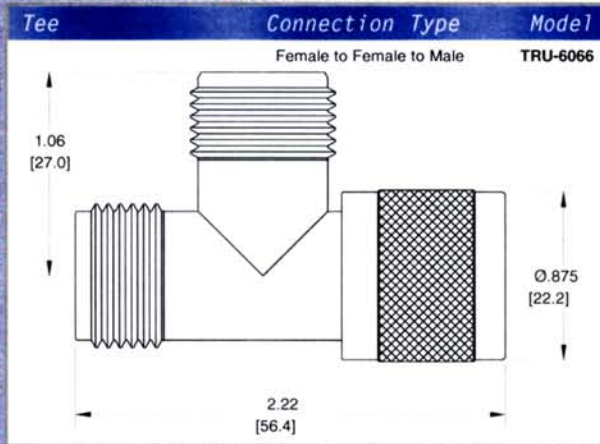
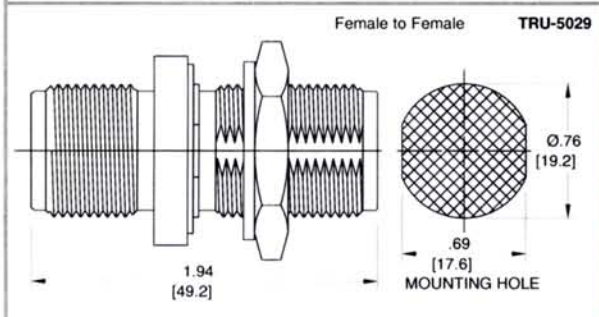
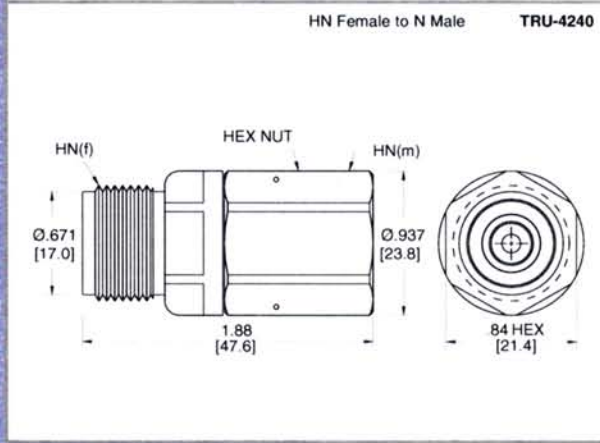
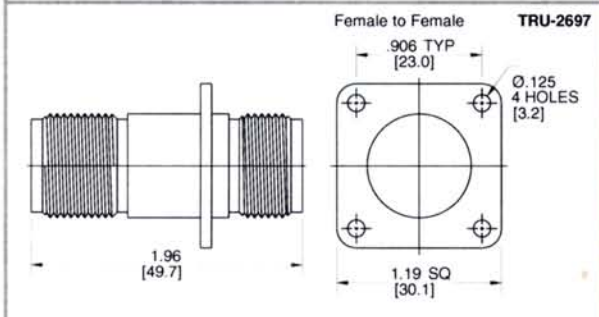
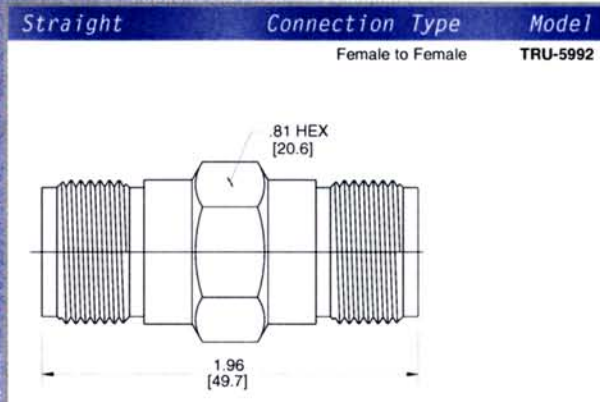
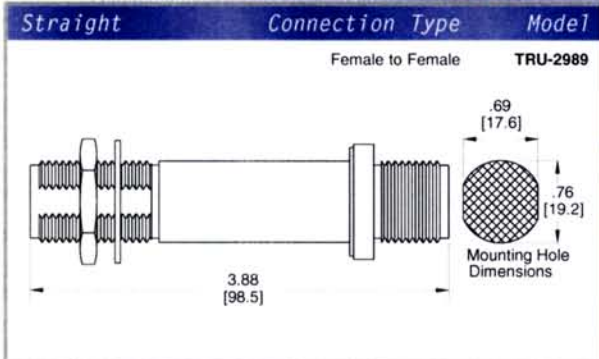
Cable Attachment: Clamp

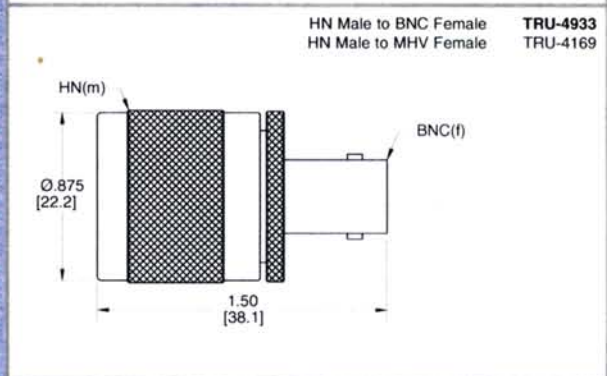
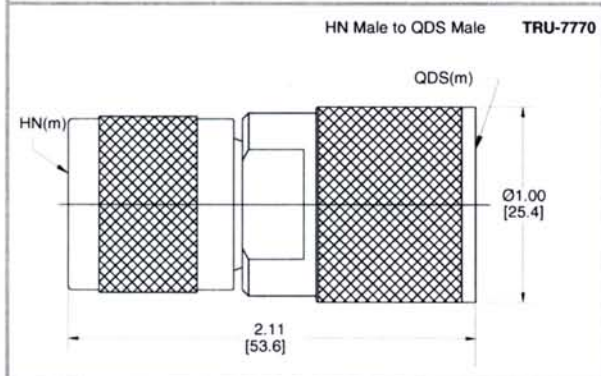
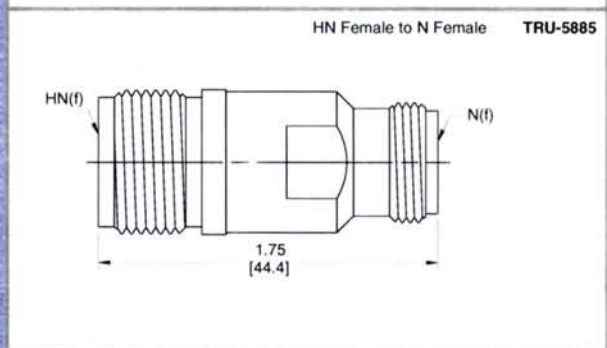
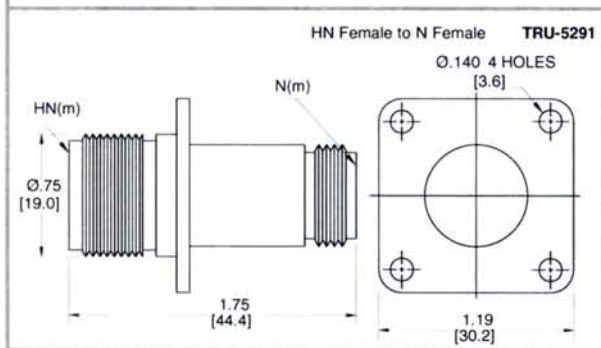
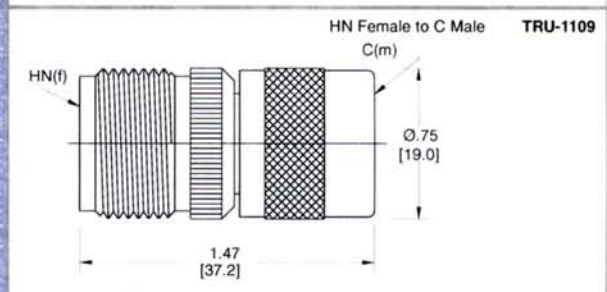
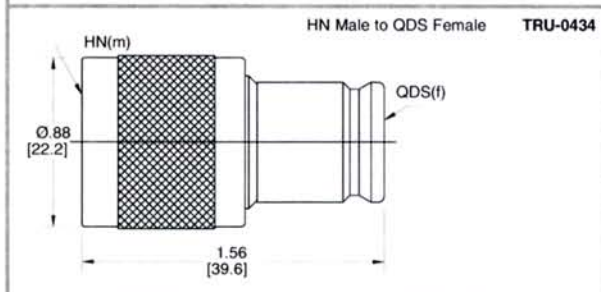
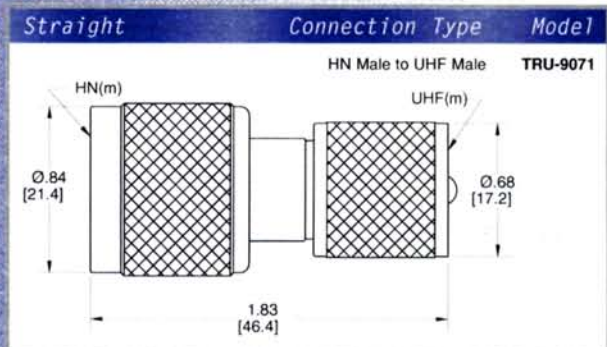
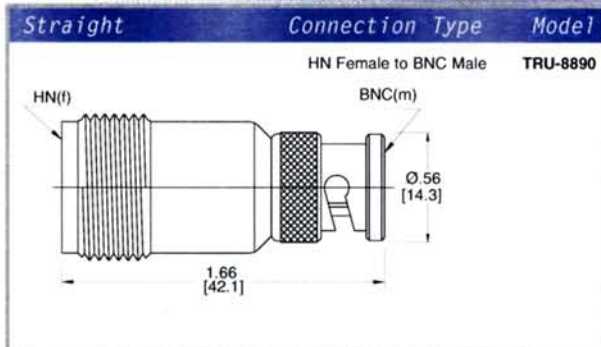
High Voltage	RG-393	TRU-6490
--------------	--------	----------



Cable Attachment: Clamp

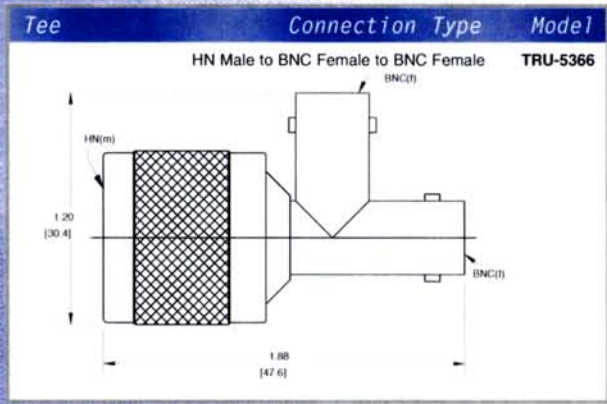






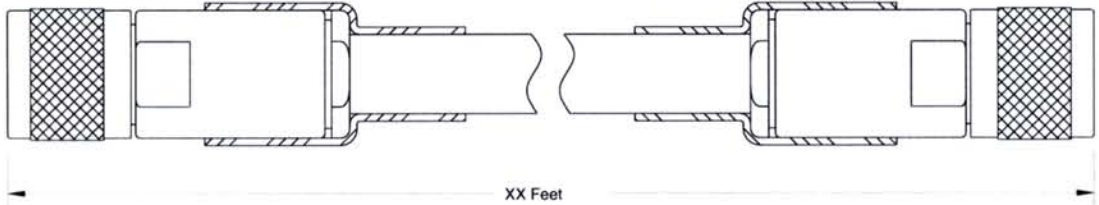
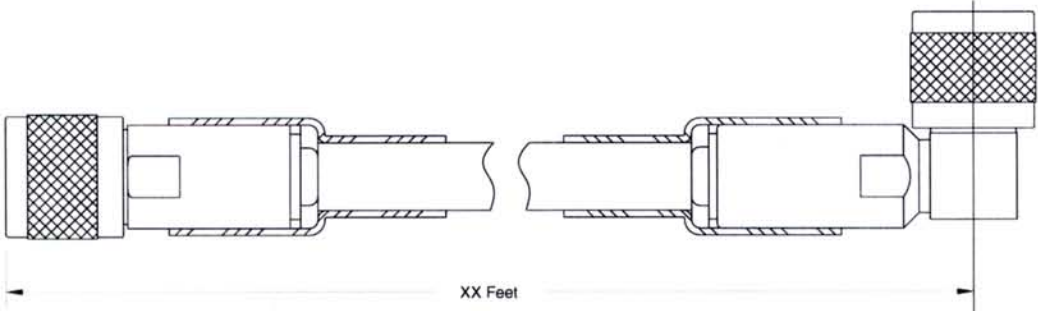
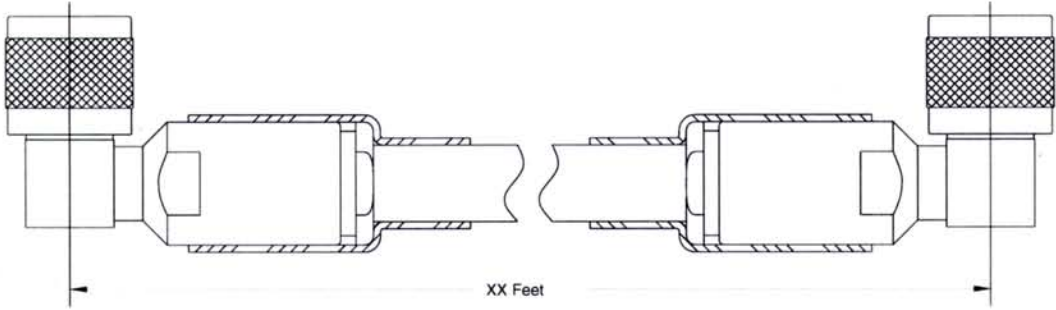
Custom Design Center

Visit trucorporation.com to use our state of the art, step-by-step application that will allow you to quickly identify your connector and/or cable assembly requirements and submit them directly to our sales and technical staff for price and delivery.





The Custom Interconnect Leader™

Straight	Cable Type	Connections	Model
 <p>XX Feet</p>	RG-393 RG-217	HN Male to HN Male	TRU-7995 TRU-6990
 <p>XX Feet</p>	RG-393 RG-217	HN Male to HN R/A Male	TRU-6836 TRU-7972
 <p>XX Feet</p>	RG-393 RG-217	HN R/A Male to HN R/A Male	TRU-8350 TRU-6835