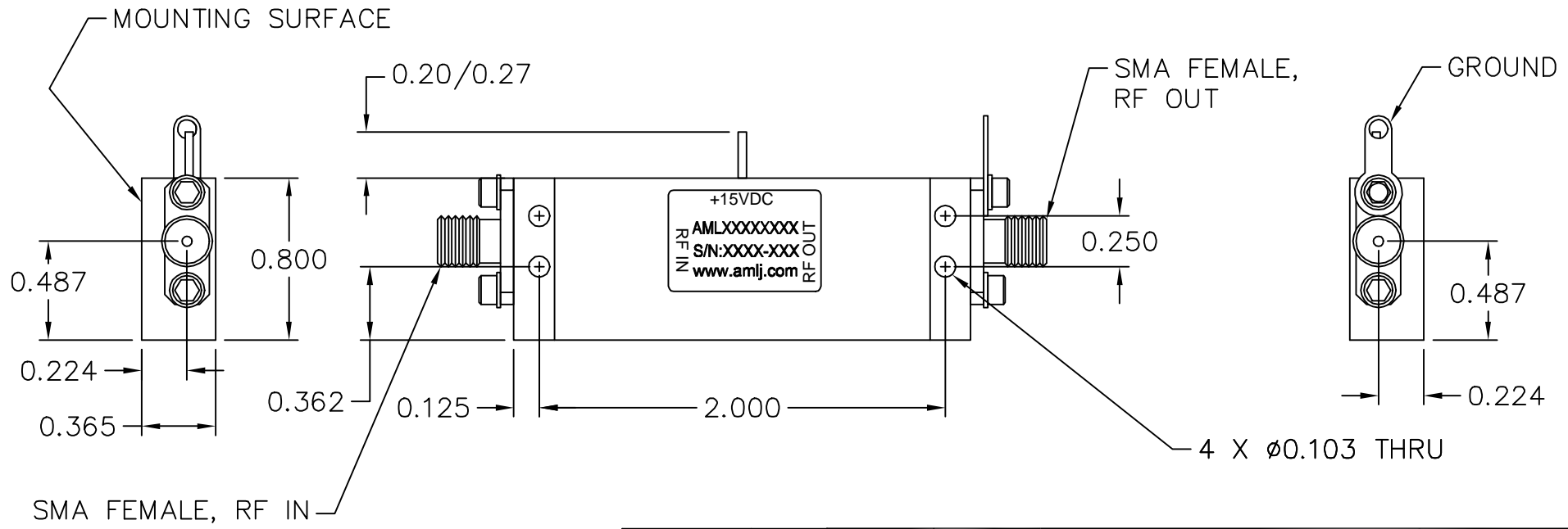


REVISIONS				
ECD#	REV	DESCRIPTION	DATE	APPROVED
9005	A	PRODUCTION RELEASE	5/24/01	SL
9116	B	SEE ECO	8/30/01	SL



NOTES:  
 1. MARK LABEL (003-0231) AS SHOWN. MARK SERIAL NUMBER, DATE CODE AND MODEL NUMBER AS PER TRAVELER.

<small>UNLESS OTHERWISE SPECIFIED DIMENSIONS ARE IN INCHES TOLERANCES ARE:</small> DECIMALS .XX ± 0.01 ANGLES ± 5° THIRDS .XXX ± 0.005 THIRD ANGLE PROJECTION	DRAWN BY TA DESIGNED BY SH APPROVED _____ DATE _____	TITLE: OUTLINE CATALOG (C5) SCALE: 2X DATE: 5/24/01 <small>GENERAL FABRICATION NOTES: (UNLESS OTHERWISE NOTED)</small> 1. REMOVE ALL BURRS AND BREAK SHARP EDGES. 2. DIMENSIONS APPLY AFTER FINISH. 3. ALL BENDS TO BE 90°. 4. $\sqrt{\quad}$ MAX. MACHINE FINISH.	 CAMARILLO, CALIFORNIA, USA BOM NUMBER _____
	MATERIAL: ALUM ALLOY 6061 FINISH: ELECTROLESS NI MIL-C-26074C 0.0003/0.0005 THICK DO NOT SCALE DRAWING		
		<small>GENERAL ASSEMBLY NOTES: (UNLESS OTHERWISE NOTED)</small> 1. ASSEMBLE AS PER WORKMANSHIP REQUIREMENTS OF IPC-A-810, CLASS 2	SHEET NUMBER: 1 OF 1 DRAWING NUMBER: 002-0113 SIZE: B REV: B