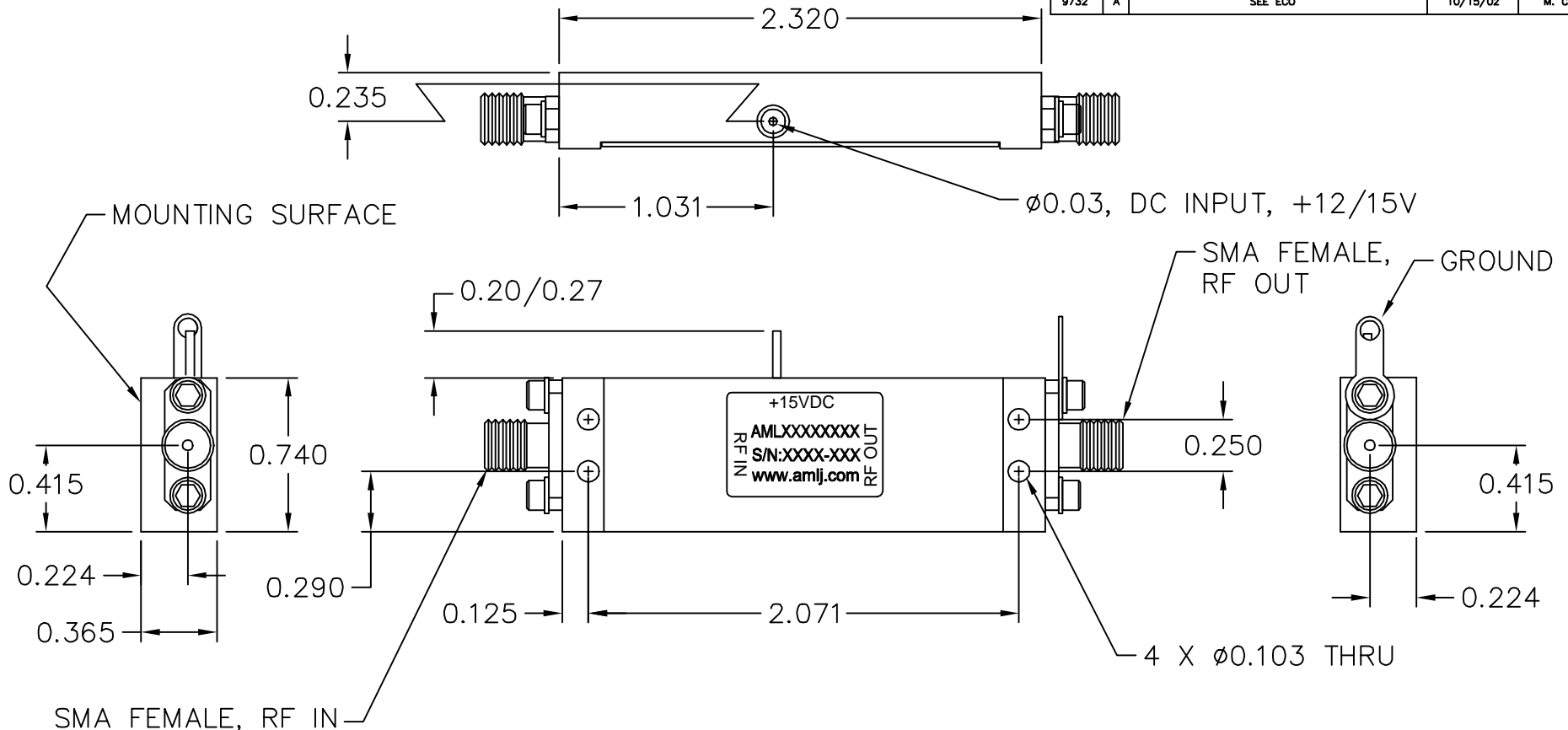


REVISIONS				
ECO#	REV	DESCRIPTION	DATE	APPROVED
	-	PRODUCTION RELEASE	6/29/01	SL
9732	A	SEE ECO	10/15/02	M. CALAYAN



NOTES:  
 1. MARK LABEL (003-0231) AS SHOWN. MARK SERIAL NUMBER, DATE CODE AND MODEL NUMBER AS PER TRAVELER.

<small>UNLESS OTHERWISE SPECIFIED DIMENSIONS ARE IN INCHES TOLERANCES ARE:          DECIMALS .XX ± 0.01 ANGLES ± 5°          .XXX ± 0.005</small>	 THIRD ANGLE PROJECTION	DRAWN BY SH    CHECK BY SH	TITLE: <b>OUTLINE, 6-18 GHz CATALOG, 7 STAGE (K7)</b>	 CAMARILLO, CALIFORNIA, USA
		DESIGNED BY SH		
MATERIAL: ALUM ALLOY 6061	ENGR: Si Le ENGR: Della Virto	SCALE: 2X	DATE: 5/24/01	BOM NUMBER
FINISH: ELECTROLESS NI MIL-C-26074C 0.0003/0.0005 THICK	MFG ENGR: Gary Rogers QA: Greg Isler	GENERAL FABRICATION NOTES: (UNLESS OTHERWISE NOTED) 1. REMOVE ALL BURRS AND BREAK SHARP EDGES. 2. DIMENSIONS APPLY AFTER FINISH. 3. ALL BENDS TO BE 90°.		SHEET NUMBER: 1 OF 1    SIZE: B
DO NOT SCALE DRAWING	RELEASED BY:	GENERAL ASSEMBLY NOTES: (UNLESS OTHERWISE NOTED) 1. ASSEMBLE AS PER WORKMANSHIP REQUIREMENTS OF IPC-A-610, CLASS 2		DRAWING NUMBER: 002-0104    REV: A