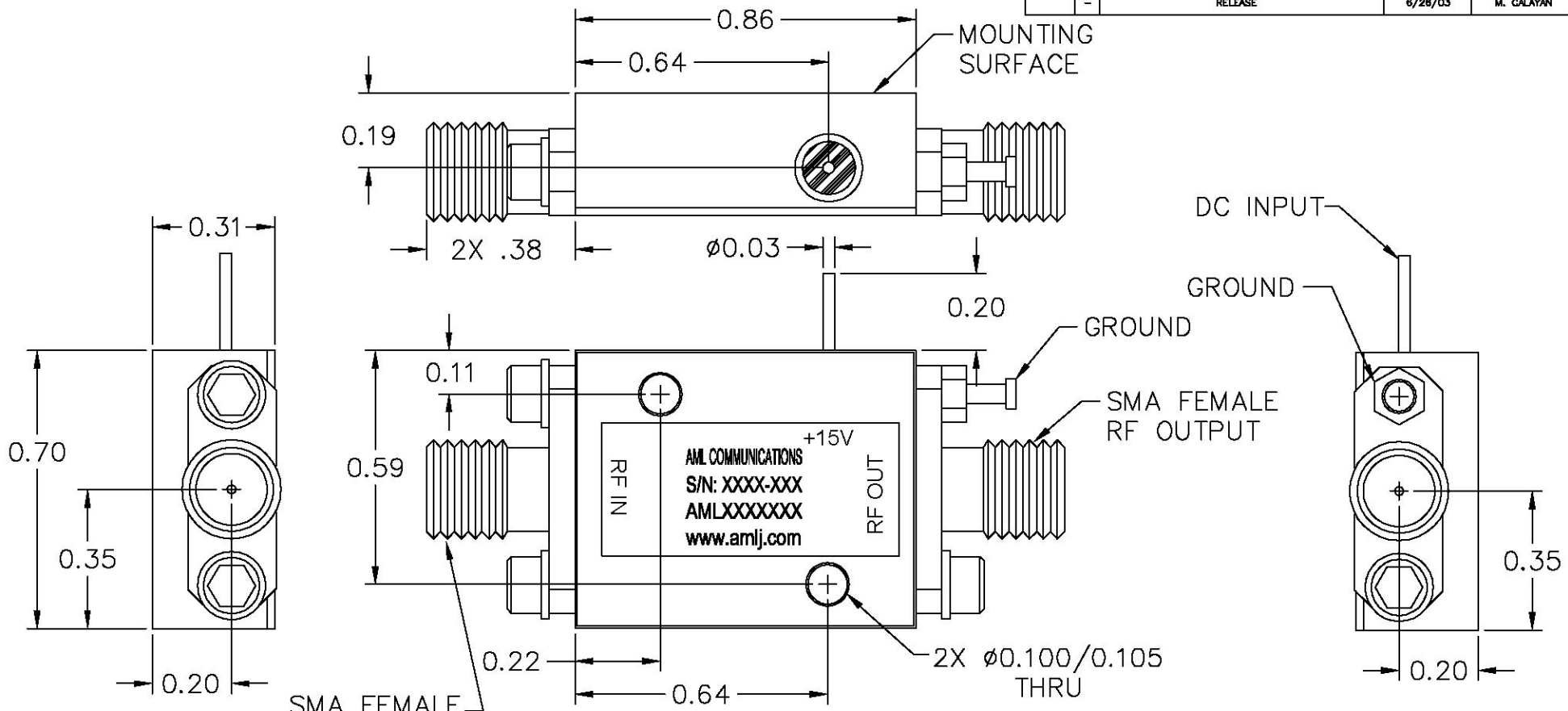


REVISIONS				
ECDW	REV	DESCRIPTION	DATE	APPROVED
	-	RELEASE	6/26/03	M. GALAYAN



NOTES:  
 1. MARK LABEL (003-0231) AS SHOWN. MARK SERIAL NUMBER AND DATE CODE AS PER TRAVELER. TRIM LABEL TO FIT.

<small>UNLESS OTHERWISE SPECIFIED DIMENSIONS ARE IN INCHES TOLERANCES ARE DECIMALS ANGLES ± ° JOCK &amp; QJLD</small>	 THIRD ANGLE PROJECTION	DRAWN BY JH    CHECK BY SH	TITLE: OUTLINE, CATALOG SC BAND, 2 STAGE	 AMARILLO, CALIFORNIA, USA
		DESIGNED BY JH		
MATERIAL: KQVAR	ENGR	APPROVED: _____ DATE: _____	GENERAL FABRICATION NOTES: (UNLESS OTHERWISE NOTED) 1. REMOVE ALL BURRS AND BREAK SHARP EDGES. 2. DIMENSION(S) APPLY AFTER FINISH. 3. ALL BENDS TO BE 90°.	BON NUMBER
FINISH: NICKEL PLATE PER MIL-C-26074	MFG ENGR QA	RELEASED BY: _____		4. $\sqrt{\hspace{1cm}}$ MAX. MACHINE FINISH.
DO NOT SCALE DRAWING				