



## X-Cap™ SlimLine Series

- **Fast tuning**
- **Low cost**
- **Gas filled**

X-Cap™ SlimLine offers the circuit designer an alternative that is less expensive than vacuum capacitors but with a higher performance than air capacitors.

Variable high voltage inert gas capacitor for various applications in the frequency range from audio frequency to 30 MHz. Outlines suitable to replace standard air capacitors.

Full tuning range ½ turn.

### Capacitance / Voltage

- **1600 pF / 3 kV**
- **850 pF / 7 kV**
- **550 pF / 11 kV**
- **380 pF / 13 kV**
- **40 pF / 15 kV**

### Features:

<b>Capacitance</b> (C <sub>max</sub> )	<b>40 pF to 1600 pF</b>
<b>Voltage</b> (peak test)	<b>3 kV to 15 kV</b>
<b>Current</b> (rms max)	<b>33 A</b>
<b>Diameter</b>	<b>65 mm</b>
<b>Overall length</b>	<b>87 mm to 170 mm</b>
<b>Inductance</b> (at C <sub>max</sub> )	<b>≤ 19 nH</b>

More information on our website at [www.comet.ch](http://www.comet.ch)



# X-Cap™ SlimLine Series

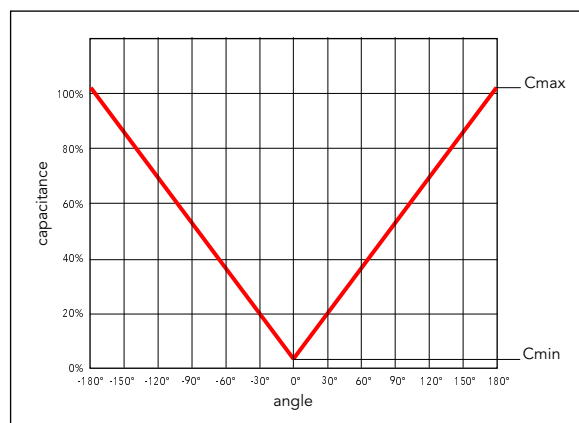
## Convection Cooling

Block	Electrical Parameters				Inductance at $C_{max}$
	$C_{min}$ pF	$C_{max}$ pF	$V_{max}$ kV <sub>pt</sub>	$I_{max}$ at 13.56 MHz $A_{rms}$	
CVXC-40C	15	40	15	33	Typical Value ≤ 19 nH
CVXC-250C	28	250	6	33	
CVXC-380C	55	380	13	33	
CVXC-380H	55	380	13	33	
CVXC-500C	60	500	10	33	
CVXC-550C	60	550	11	33	
CVXC-550H	60	550	11	33	
CVXC-850C	65	850	7	33	
CVXC-850H	65	850	7	33	
CVXC-1600C	70	1600	3	33	

Capacitance tolerance at:  $C_{max}$  -5% to 10%,  $C_{min}$  -25% to 0%



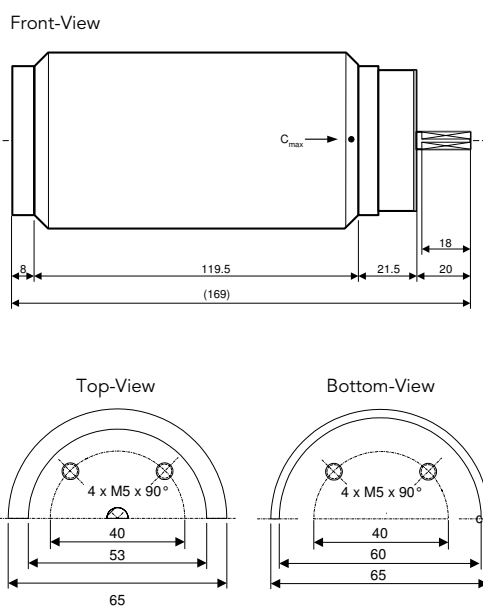
## Capacitance Curve



## Notes

- Capacitors also available with ball bearing for sideload ≤ 50N
- Attention: Unit is under pressure (3 bars at 20°C)

## Outline Drawings



The information in this catalogue are not be used for design purposes. For detailed information refer to the individual data sheet, available on our website [www.comet.ch](http://www.comet.ch) or from your local representative.

COMET AG  
Herengasse 10  
CH-3175 Flammatt  
Switzerland  
Tel. +41 31 744 95 00  
Fax +41 31 744 95 90  
Mail to: [vc@comet.ch](mailto:vc@comet.ch)

COMET North America Inc.  
76 Progress Drive  
Stamford, CT 06902  
USA  
Tel. +1 (203) 969 2161  
Fax +1 (203) 969 2162  
Mail to: [usa@comet.ch](mailto:usa@comet.ch)

COMET China  
Longdong Avenue 3000, Shanghai  
Zhangjiang Semiconductor Ind. Park  
Shanghai 201203, P.R. China  
Tel. +86 21 5831 9556  
Fax +86 21 5831 0975  
Mail to: [china@comet.ch](mailto:china@comet.ch)

