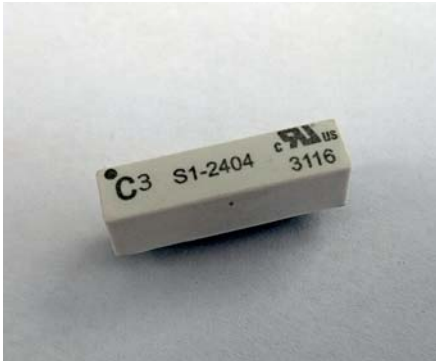


S1 Relay Series

UL Approved* Miniature High Voltage Relay



Actual device may differ

- Single-in-line package
- 4kV Isolation Voltage across contacts
- Isolation Voltage 5kV contact to coil
- 2.5A carry current
- Up to 350V switching voltage

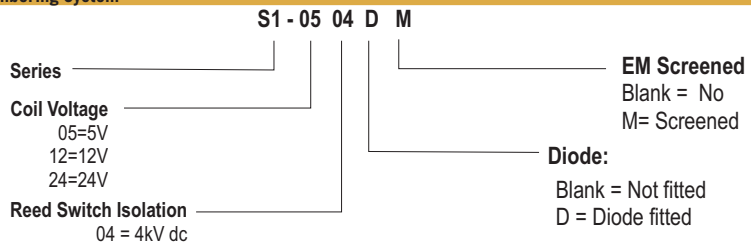
Contact Specification	Conditions	
Switch action		SPST (Form A)
Material		Rhodium
Isolation across contacts	kV DC or AC peak	4
Switching Power Max.	VA	100
Switching Voltage Max.	V	350dc/300ac
Switching Current Max.	A DC or AC peak	1.0
Carry Current Max	A DC	2.5
Capacitance across contacts	pF coil to screen grounded	0.5 (typical)
Lifetime operations	dry switching	10 ⁹
Contact Resistance	mΩ max	100
Insulation Resistance	Ωmin (typical)	10 ¹⁰ (10 ¹³)

Coil Specification (@ 20°C)	5V coil	12V coil	24V coil
Must Operate Voltage V DC	4	10.8	16
Must Release Voltage V DC	1.25	1.25	1.25
Operate Time ms diode fitted	1	1	1 (TBC)
Release Time ms diode fitted	0.5	0.5	0.5 (TBC)
Resistance Ω (± 10%)	180	500	1000

Relay Specification	
Isolation contact/coil	kV DC 5
Insulation resistance contact to all terminals	Ωmin (typical) TBC

Environmental	
Operating Temp range °C	-40 to +85
Storage Temp range °C	-40 to +100

Part Numbering System



The S1 series is a miniature high voltage single-in-line reed relay for applications where space saving is a prime consideration.

The coil pins are positioned near the centre of the relay while the contact pins are near the ends to give improved isolation between the high voltage contacts and the low voltage coil.

Please refer to this document for circuit design notes:-
<http://www.cynergy3.com/blog/application-notes-reed-relays-0>

Custom versions can be designed for particular applications. Please contact Cynergy3 with your requirements.

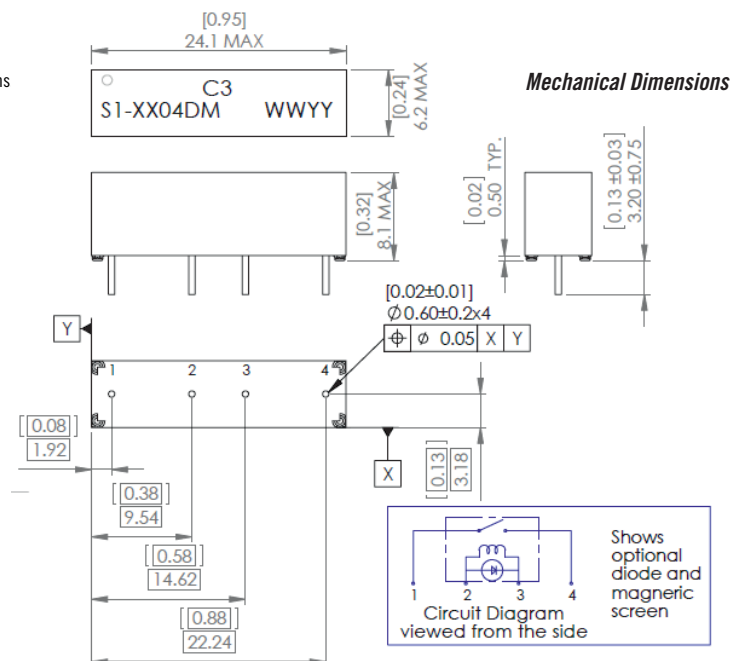
*Consult factory for UL ratings



Cynergy3 Components Ltd.
 7 Cobham Road
 Ferndown Industrial Estate
 Wimborne, Dorset BH21 7PE
 Telephone +44 (0) 1202 897969
 Email:sales@cynergy3.com

ISO9001 CERTIFIED

S1 Series 2016



www.cynergy3.com