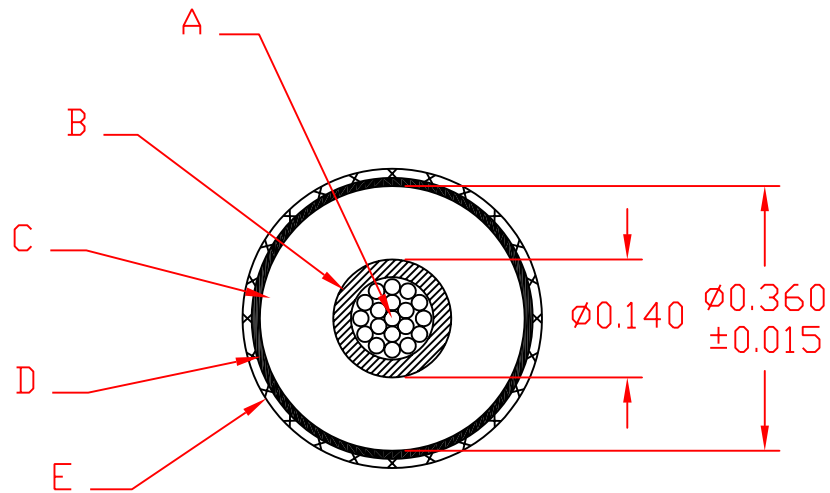


LEGEND

- A. 12AWG (19X 25AWG) SILVER PLATED COPPER
- B. SEMI CON SILICONE TO ϕ .140
- C. SILICONE RUBBER TO ϕ .360 \pm .015
- D. SEMI CON INK & TAPE
- E. SHIELD,34AWG(6 ENDS,24 CARRIER) TINNED COATED COPPER BRAID 81% COVERAGE



REVISIONS

THIS DOCUMENT AND THE INFORMATION CONTAINED IN IT ARE THE PROPERTY OF DIELECTRIC SCIENCES, INC AND SHALL NOT BE REPRODUCED OR COPIED OR USED AS THE BASIS FOR THE MANUFACTURE OF APPARATUS WITHOUT PERMISSION.

REV	ECO NUMBER	APPD	DATE
-	RELEASE DRAWING		

UNLESS OTHERWISE SPECIFIED	
DIMENSIONS ARE IN INCHES TOLERANCE ON	
DECIMALS .XX \pm .01 .XXX \pm .005	ANGLES \pm
CONCENTRICITY .005 TIR REMOVE BURRS & SHARP EDGES ALL MACHINE SURFACES 125 \checkmark	

DRAWN D. ABDULKY	DATE 11MAY06
CHECKED	DATE
APPROVED	DATE
MATERIAL	
FINISH	

DIELECTRIC SCIENCES, INC CHELMSFORD, MASSACHUSETTS 01824			
CABLE: 1/C #12 AWG ; 60KVDC			
SIZE A	FSCM NO. 50509	DWG NO. 2024S	REV
SCALE		SHEET	OF