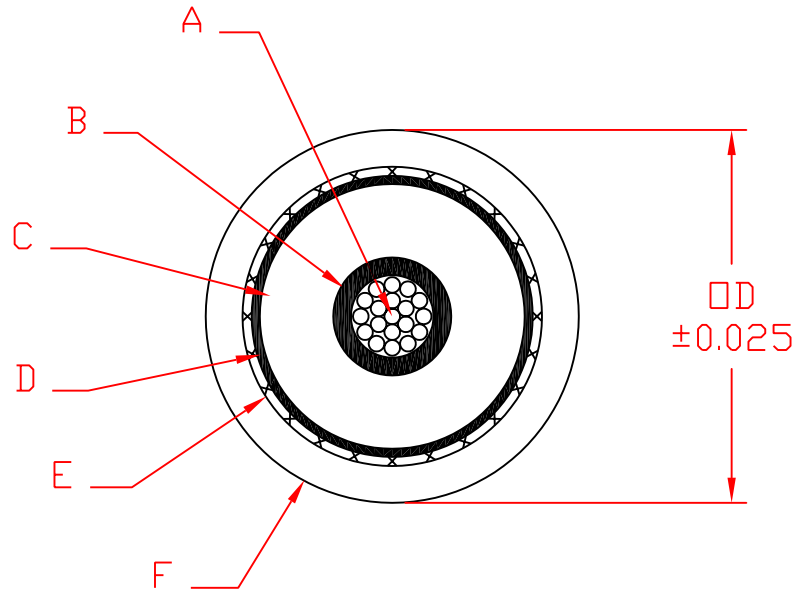


LEGEND

- A. 12AWG (19X 25AWG) SILVER PLATED COPPER
- B. SEMI CON SILICONE TO $\phi.140$
- C. INSULATING SILICONE TO $\phi.360 \pm .015$
- D. SEMI CON INK & TAPE
- E. SHIELD, 34AWG(6 ENDS, 24 CARRIER) TINNED COATED COPPER BRAID 81% COVERAGE
- F. JACKET



JACKET TYPE	DEFINTION	COLOR	WALL	OD
N	NEOPRENE RUBBER	BLACK	0.06	0.52
S	SILICONE RUBBER	RED	0.06	0.52
T	THERMOPLASTIC RUBBER	BLACK	0.05	0.50
V	VINYL	BLACK	0.05	0.50

REVISIONS

REV	ECO NUMBER	APPD	DATE
-	RELEASE DRAWING		

THIS DOCUMENT AND THE INFORMATION CONTAINED IN IT ARE THE PROPERTY OF DIELECTRIC SCIENCES, INC AND SHALL NOT BE REPRODUCED OR COPIED OR USED AS THE BASIS FOR THE MANUFACTURE OF APPARATUS WITHOUT PERMISSION.

UNLESS OTHERWISE SPECIFIED		DRAWN D. ABDULKY	DATE 11MAY06
DIMENSIONS ARE IN INCHES TOLERANCE ON		CHECKED	DATE
DECIMALS .XX $\pm .01$.XXX $\pm .005$	ANGLES \pm	APPROVED	DATE
CONCENTRICITY .005 TIR REMOVE BURRS & SHARP EDGES ALL MACHINE SURFACES 125 \checkmark		MATERIAL	
		FINISH	

DIELECTRIC SCIENCES, INC
CHELMSFORD, MASSACHUSETTS 01824

CABLE: 1/C #12 AWG ; 60KVDC

SIZE A	FSCM NO. 50509	DWG NO. 2024SJ	REV
SCALE	SHEET OF		