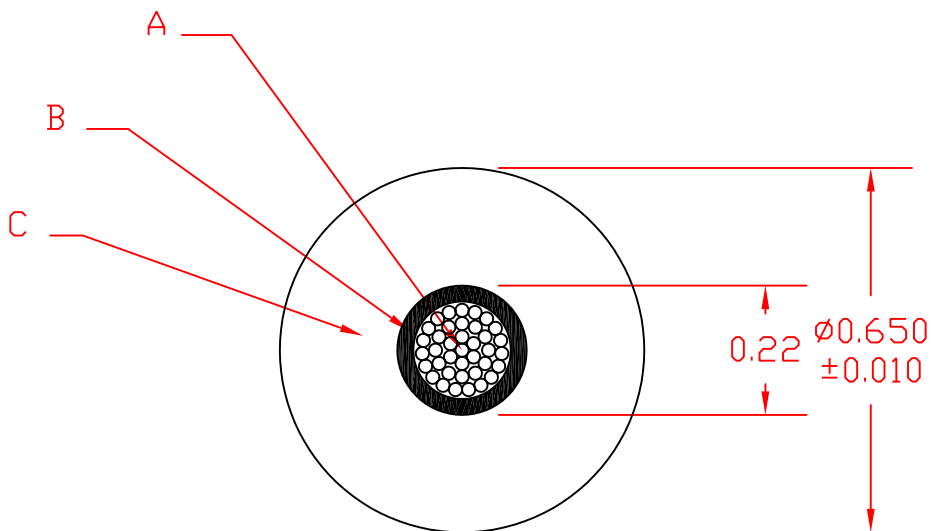


LEGEND



- A. #8AWG(133 x #29) SILVER PLATED COPPER
- B. SEMI CON SILICONE TO $\phi.220$, .020 MIN WALL
- C. SILICONE RUBBER TO $\phi.650 \pm .010$



REVISIONS

THIS DOCUMENT AND THE INFORMATION CONTAINED IN IT ARE THE PROPERTY OF DIELECTRIC SCIENCES, INC AND SHALL NOT BE REPRODUCED OR COPIED OR USED AS THE BASIS FOR THE MANUFACTURE OF APPARATUS WITHOUT PERMISSION.

REV	ECO NUMBER	APPD	DATE
-	RELEASE DRAWING		

UNLESS OTHERWISE SPECIFIED	
DIMENSIONS ARE IN INCHES TOLERANCE ON	
DECIMALS .XX ±.01 .XXX ±.005	ANGLES ±
CONCENTRICITY .005 TIR REMOVE BURRS & SHARP EDGES ALL MACHINE SURFACES 125 \checkmark	
 	

DRAWN D. ABDULKY	DATE 11AUG08
CHECKED	DATE
APPROVED	DATE
MATERIAL	
FINISH	

DIELECTRIC SCIENCES, INC			
CHELMSFORD, MASSACHUSETTS 01824			
CABLE: 1/C #8AWG 100KVDC			
SIZE A	FSCM NO. 50509	DWG NO. 2062	REV
SCALE		SHEET	OF