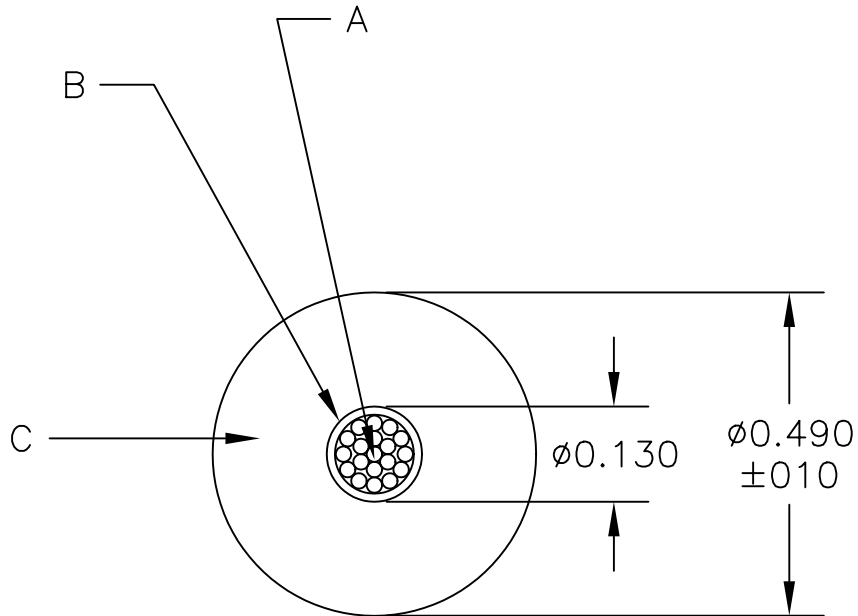


LEGEND

A. #12 AWG (19/25) TIN PLATED COPPER

B. SEMICON POLYETHYLENE TO  $\phi$ .130

C. LDHMMW POLYETHYLENE: NATURAL TO  $\phi$ .490 $\pm$ .010



REVISIONS

THIS DOCUMENT AND THE INFORMATION CONTAINED IN IT ARE THE PROPERTY OF DIELECTRIC SCIENCES, INC AND SHALL NOT BE REPRODUCED OR COPIED OR USED AS THE BASIS FOR THE MANUFACTURE OF APPARATUS WITHOUT PERMISSION.

REV	ECO NUMBER	APPD	DATE	UNLESS OTHERWISE SPECIFIED	DRAWN GPLAMBERT	DATE 15NOV00	DIELECTRIC SCIENCES, INC CHELMSFORD, MASSACHUSETTS 01824		
-	RELEASE DRAWING			DIMENSIONS ARE IN INCHES TOLERANCE ON	CHECKED DJ LEARY	DATE 15NOV00			
				DECIMALS   ANGLES .XX ±.01   ± .XXX ±.005	APPROVED DJ LEARY	DATE 15NOV00	SIZE   FSCM NO.   DWG NO.   REV A   50509   2121A		
				CONCENTRICITY .005 TIR REMOVE BURRS & SHARP EDGES ALL MACHINE SURFACES 125 $\checkmark$	MATERIAL				
				DO NOT SCALE THIS DRAWING	FINISH				