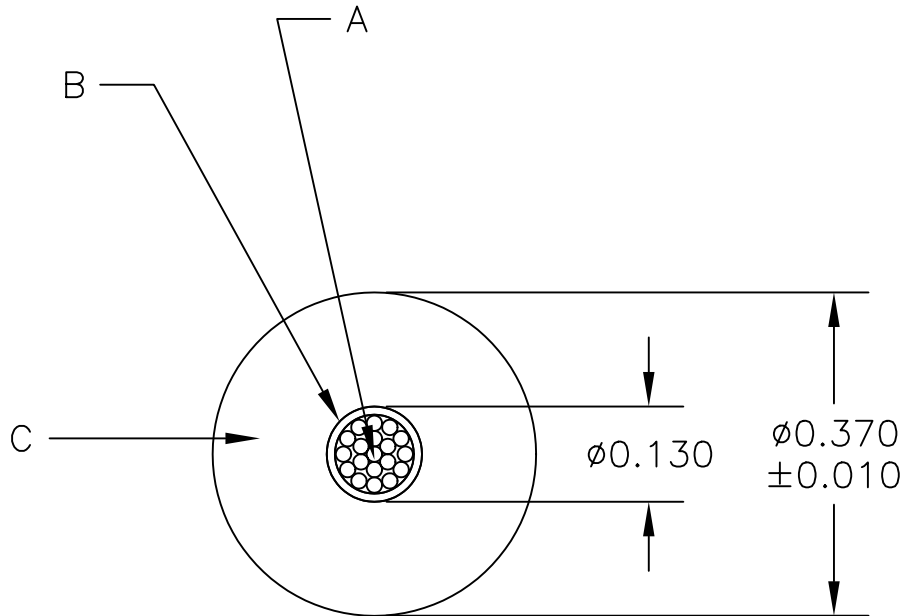


LEGEND

A. #12 AWG (19/25) TIN PLATED COPPER

B. SEMICON POLYETHYLENE TO ϕ .130

C. INSULATING POLYETHYLENE TO ϕ .370 \pm .010



REVISIONS

THIS DOCUMENT AND THE INFORMATION CONTAINED IN IT ARE THE PROPERTY OF DIELECTRIC SCIENCES, INC AND SHALL NOT BE REPRODUCED OR COPIED OR USED AS THE BASIS FOR THE MANUFACTURE OF APPARATUS WITHOUT PERMISSION.

REV	ECO NUMBER	APPD	DATE	UNLESS OTHERWISE SPECIFIED	DRAWN GPLAMBERT	DATE 15NOV00	DIELECTRIC SCIENCES, INC CHELMSFORD, MASSACHUSETTS 01824			
-	RELEASE DRAWING			DIMENSIONS ARE IN INCHES TOLERANCE ON	CHECKED DJ LEARY	DATE 15NOV00				CABLE: 1/C, #12 AWG, 100 KVDC
				DECIMALS .XX \pm .01 .XXX \pm .005	APPROVED DJ LEARY	DATE 15NOV00	SIZE A	FSCM NO. 50509	DWG NO. 2125A	
				ANGLES \pm	MATERIAL		SCALE		SHEET	1 OF 1
				CONCENTRICITY .005 TIR REMOVE BURRS & SHARP EDGES ALL MACHINE SURFACES 125 \checkmark	FINISH					
				DO NOT SCALE THIS DRAWING						