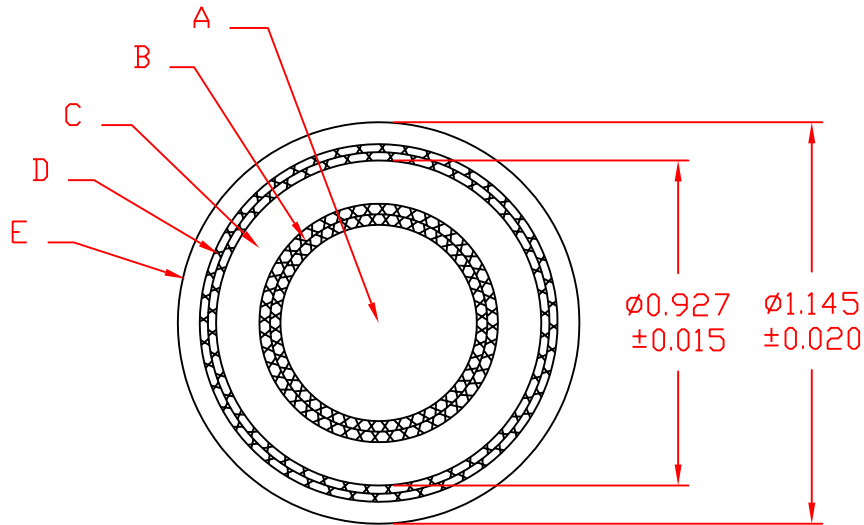


LEGEND

- A. LDHMW POLYETHYLENE CORE TO $\phi 0.560 \pm 0.005$
- B. DOUBLE SHIELD, #28 AWG BARE COPPER
5 ENDS, 48 CARRIER (EACH SHIELD)
23° ANGLE. OVERLAP WITH 1.5 MIL MYLAR
30% LAP TO $\phi 0.680 \pm 0.007$
- C. LDHMW POLYETHYLENE, 0.123 WALL TO $\phi 0.927 \pm 0.015$
- D. DOUBLE SHIELD, #28 AWG BARE COPPER
5 ENDS, 48 CARRIER (EACH SHIELD)
33° ANGLE. OVERLAP WITH 1.5 MIL MYLAR
30% LAP TO $\phi 1.020 \pm 0.020$
- E. JACKET: LDHMW BLACK POLYETHYLENE TO $\phi 1.145 \pm 0.020$



REVISIONS

THIS DOCUMENT AND THE INFORMATION CONTAINED IN IT ARE THE PROPERTY OF DIELECTRIC SCIENCES, INC AND SHALL NOT BE REPRODUCED OR COPIED OR USED AS THE BASIS FOR THE MANUFACTURE OF APPARATUS WITHOUT PERMISSION.

REV	ECO NUMBER	APPD	DATE	UNLESS OTHERWISE SPECIFIED
-	RELEASE DRAWING			DIMENSIONS ARE IN INCHES TOLERANCE ON
				DECIMALS ANGLES .XX ±.01 ± .XXX ±.005
				CONCENTRICITY .005 TIR REMOVE BURRS & SHARP EDGES ALL MACHINE SURFACES 125 \checkmark
				DO NOT SCALE THIS DRAWING

DRAWN JAG				DATE 12SEP88		DIELECTRIC SCIENCES, INC CHELMSFORD, MASSACHUSETTS 01824			
CHECKED				DATE					
APPROVED				DATE		CABLE: 40KV PULSE			
MATERIAL									
SIZE A		FSCM NO. 50509		DWG NO. 2157		REV 1			
SCALE						SHEET 1 OF 1			