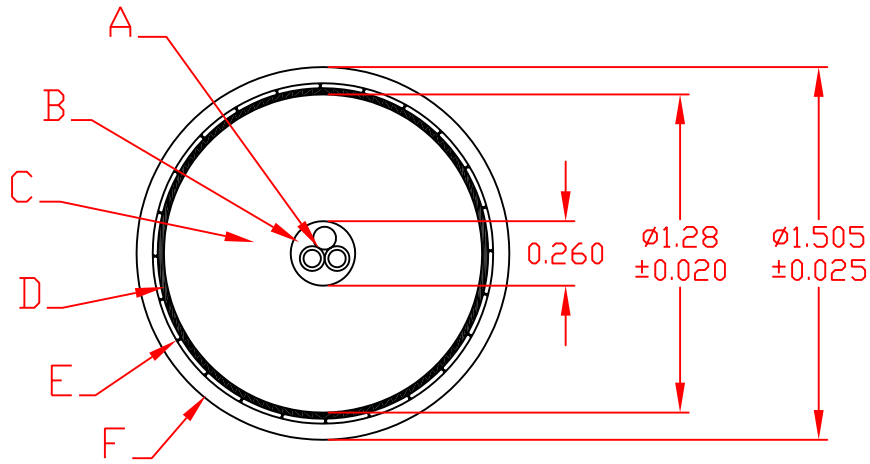


LEGEND

- A. CORE CONDUCTORS
2X #14AWG(19X.0147") TINNED COPPER WITH .015 TEFZEL
(ONE WHITE, ONE BLACK)
- 1X #12AWG(19X.0179") TINNED COPPER UNINSULATED
- B. SEMI CON EPR TO ϕ .260 .010 MIN WALL
- C. INSULATING EPR TO ϕ 1.28 \pm .020
- D. SEMI CON EPR TO ϕ 1.33 \pm .020
- E. SHIELD, #34AWG T.C. , 9 ENDS, 24 CARRIER
80% MINIMUM COVERAGE TO ϕ 1.37 \pm .020
- F. JACKET: PVC; BLACK TO ϕ 1.505 \pm .025



REVISIONS

THIS DOCUMENT AND THE INFORMATION CONTAINED IN IT ARE THE PROPERTY OF DIELECTRIC SCIENCES, INC AND SHALL NOT BE REPRODUCED OR COPIED OR USED AS THE BASIS FOR THE MANUFACTURE OF APPARATUS WITHOUT PERMISSION.

REV	ECO NUMBER	APPD	DATE
-	RELEASE DRAWING	JAG	01OCT01

UNLESS OTHERWISE SPECIFIED	
DIMENSIONS ARE IN INCHES TOLERANCE ON	
DECIMALS .XX ±.01 .XXX ±.005	ANGLES ±
CONCENTRICITY .005 TIR REMOVE BURRS & SHARP EDGES ALL MACHINE SURFACES 125 \checkmark	

DRAWN GPLAMBERT	DATE 12AUG02
CHECKED SJ RIGBY	DATE 12AUG02
APPROVED JA GOLDLUST	DATE 12AUG02
MATERIAL	
FINISH	

DIELECTRIC SCIENCES, INC CHELMSFORD, MASSACHUSETTS 01824			
CABLE: 3/C - 320KV LOW NOISE FLEXIBLE X-RAY			
SIZE A	FSCM NO. 50509	DWG NO. 2236	REV
SCALE	SHEET 1 OF 1		