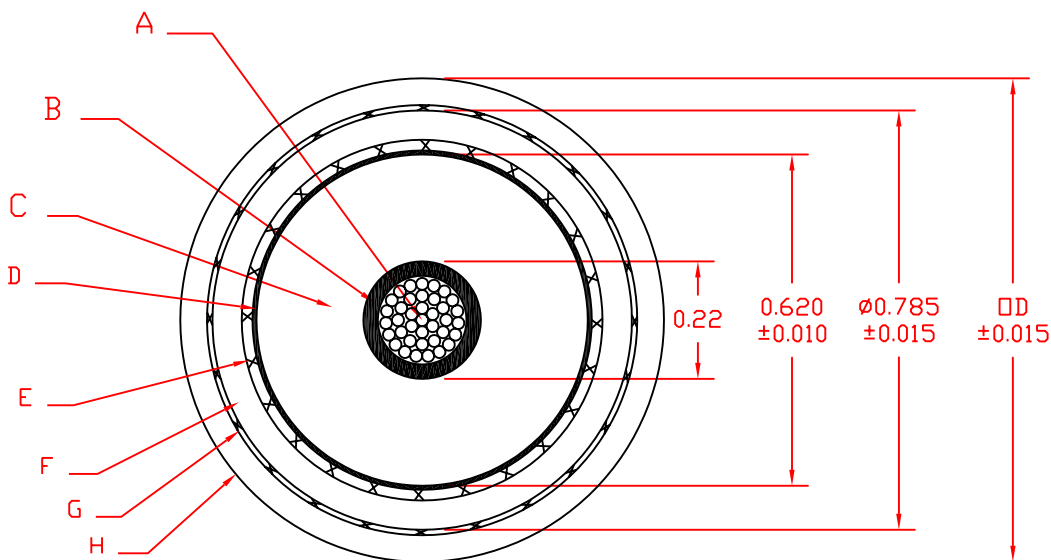


LEGEND





- A. CORE CONDUCTOR
#8AWG(49x) TIN PLATED COPPER
- B. SEMI CON EPR TO ϕ .220, .020 MIN WALL
- C. INSULATING EPR TO ϕ .620±.010
- D. SEMI CON TAPE TO ϕ .635±.010
- E. SHIELD #30 TIN COATED COPPER BRAID
7 ENDS, 24 CARRIER
90% MINIMUM COVERAGE
- F. THERMOPLASTIC RUBBER INSULATION, BLACK TO ϕ .785±.015
- G. SHIELD #34 TIN COATED COPPER BRAID
7 ENDS, 24 CARRIER
90% MINIMUM COVERAGE
- H. JACKET

JACKET TYPE	DEFINITION	COLOR	WALL	OD
N	NEOPRENE RUBBER	BLACK	0.06	0.925
S	SILICONE RUBBER	N/A	N/A	N/A
T	THERMOPLASTIC RUBBER	BLACK	0.05	0.905
V	VINYL	BLACK	0.05	0.905

REVISIONS

THIS DOCUMENT AND THE INFORMATION CONTAINED IN IT ARE THE PROPERTY OF DIELECTRIC SCIENCES, INC AND SHALL NOT BE REPRODUCED OR COPIED OR USED AS THE BASIS FOR THE MANUFACTURE OF APPARATUS WITHOUT PERMISSION.

REV	ECO NUMBER	APPD	DATE	UNLESS OTHERWISE SPECIFIED
-	RELEASE DRAWING			DIMENSIONS ARE IN INCHES TOLERANCE ON DECIMALS ANGLES .XX ±.01 ± .XXX ±.005
				CONCENTRICITY .005 TIR REMOVE BURRS & SHARP EDGES ALL MACHINE SURFACES 125 \checkmark
				 

DRAWN D. ABDULKY	DATE 11FEB08
CHECKED	DATE
APPROVED	DATE
MATERIAL	
FINISH	

DIELECTRIC SCIENCES, INC
CHELMSFORD, MASSACHUSETTS 01824

HV TRIAXIAL CABLE, 1/C 8 AWG 125KVDC

SIZE **A** FSCM NO. **50509** DWG NO. **2243TJ** REV

SCALE _____ SHEET _____ OF _____