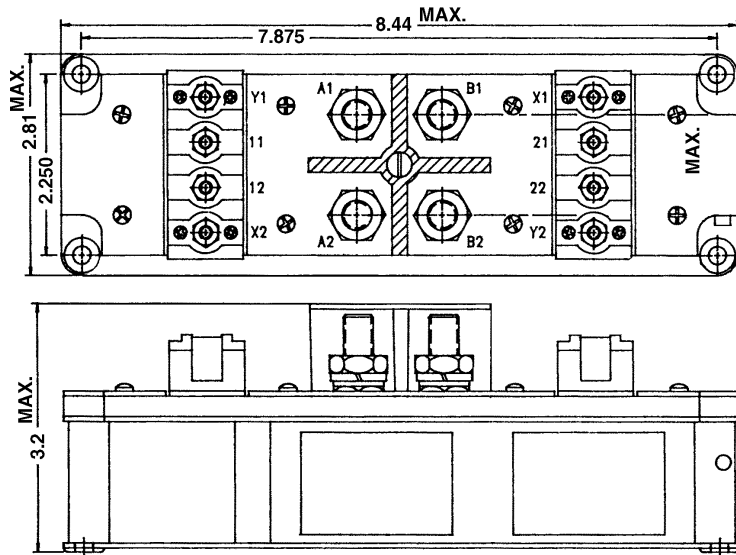


# A-1019 2PDT, Center Off, 300 Amps, 28 VDC

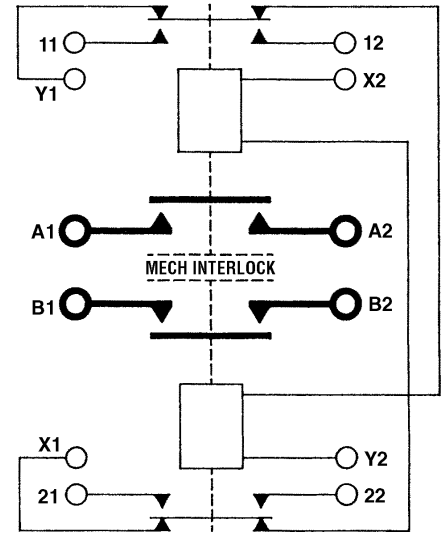
**Features:**

- 2PDT Center Off Main Contacts
- Mechanically Interlocked
- 28 VDC
- 300 Amps
- High Reliability
- Meets many requirements of MIL-R-6106



Dimensions for this product are expressed in inches. Multiply values by 25.4 for millimeters.

**CONTACTOR CONFIGURATION**



**Notes:**

For factory-direct application assistance, contact the HARTMAN product team at (419) 521-9500, Fax (419) 526-2749.

© 2004 by Tyco Electronics Corporation. All Rights Reserved. HARTMAN and TYCO are trademarks.

**PRODUCT SPECIFICATIONS**

Construction	Gasket Sealed, Vented
Main Contacts:	
Configuration	* 2PST Center Off Interlocked
Voltage (Nominal)	28 VDC
Current (Resistive)	300 Amps
Auxiliary Contacts:	
Configuration	* 2PST Center Off Interlocked
Voltage (Nominal)	28 VDC
Current	
Resistive	5 Amps
Inductive	3 Amps
Coil Data:	
Duty Cycle	Continuous
Voltage (Nominal)	28 VDC
Pick-Up Voltage	18 VDC Maximum
Drop-Out Voltage	1 - 7 VDC
Coil Current @ 28 VDC & +25°C	
In-Rush	0.31 Amps
Hold	0.31 Amps
Operating Temperature	-55°C to +71°C
Life:	
Electrical	50,000 Cycles
Mechanical	10,000 Cycles
Weight Maximum	4 Lbs.