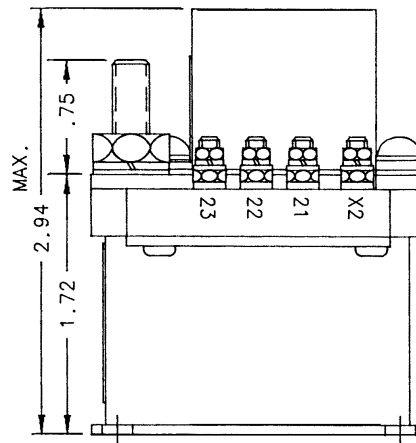
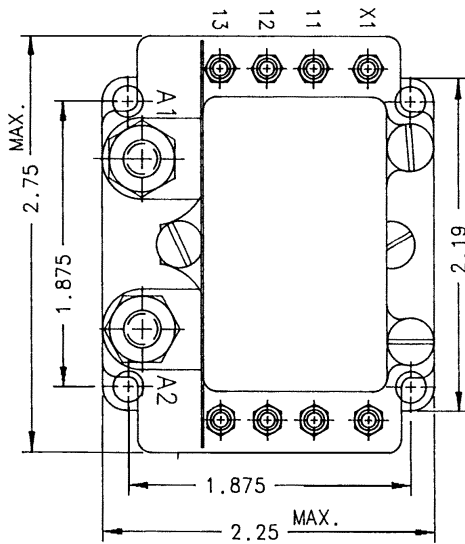
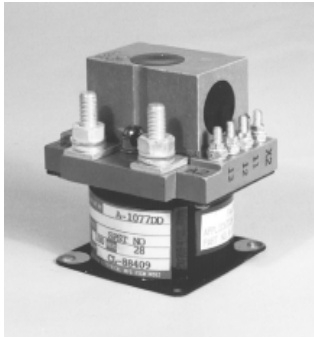
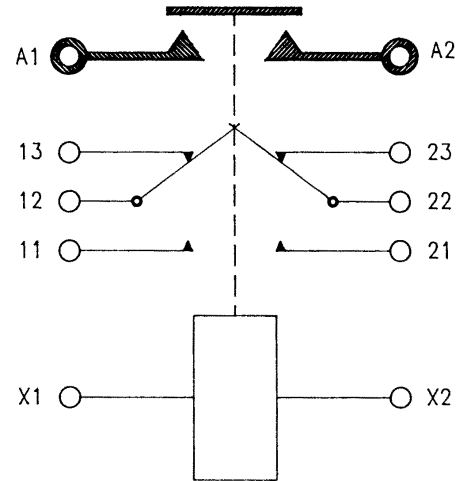


A-1077F SPST N.O., 200 Amps, 28 VDC



CONTACTOR CONFIGURATION



Dimensions for this product are expressed in inches. Multiply values by 25.4 for millimeters.

PRODUCT SPECIFICATIONS	
Construction	Gasket Sealed, Silastic Sealed
Main Contacts:	
Configuration	SPST N.O.
Voltage (Nominal)	28 VDC
Current (Resistive)	200 Amps
Auxiliary Contacts:	
Configuration	2PDT
Voltage (Nominal)	28 VDC
Current	
Resistive	5 Amps
Inductive	3 Amps
Coil Data:	
Duty Cycle	Continuous
Voltage (Nominal)	28 VDC
Pick-Up Voltage @ +25°C	16.5 VDC Maximum
Drop-Out Voltage	.5 - 7 VDC
Coil Current @ 28 VDC & +25°C	
In-Rush	0.4 Amp
Hold	0.4 Amp
Operating Temperature	-55°C to +71°C
Life:	
Electrical	50,000 Cycles
Mechanical	100,000 Cycles
Weight Maximum	1 Lb. 10 Oz.

Notes:

For factory-direct application assistance, contact the HARTMAN product team at (419) 521-9500, Fax (419) 526-2749.

© 2004 by Tyco Electronics Corporation. All Rights Reserved. HARTMAN and TYCO are trademarks.