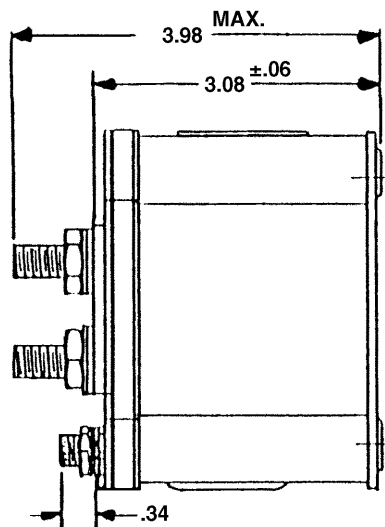
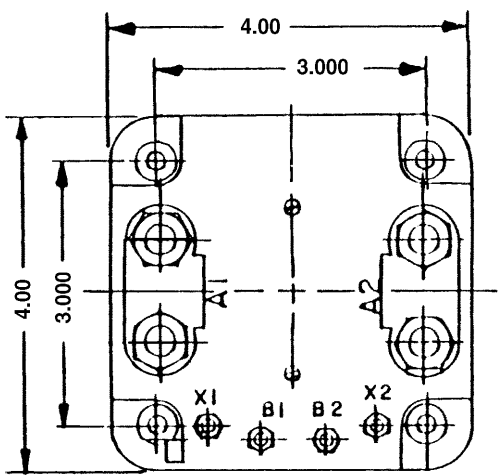


A-712T SPST, 600 Amps, 28 VDC

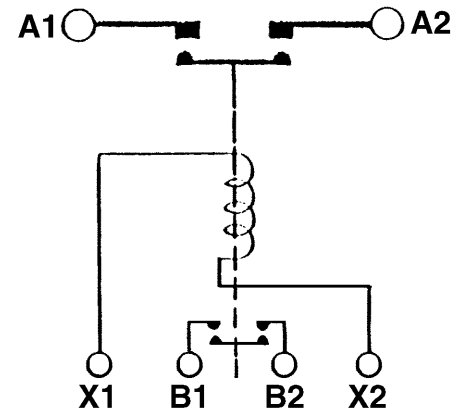


Features:

- SPST Main Contacts
- 28 VDC
- 600 Amps
- High Reliability
- Meets many requirements of MIL-R-6106



CONTACTOR CONFIGURATION



Notes:

Dimensions for this product are expressed in inches. Multiply values by 25.4 for millimeters.

PRODUCT SPECIFICATIONS	
Construction	Gasket Sealed, Vented
Main Contacts:	
Configuration	SPST N.O.
Voltage (Nominal)	28 VDC
Current (Resistive)	600 Amps
Auxiliary Contacts:	
Configuration	SPST N.O.
Voltage (Nominal)	28 VDC
Current	
Resistive	5 Amps
Inductive	3 Amps
Coil Data:	
Duty Cycle	Continuous
Voltage (Nominal)	28 VDC
Pick-Up Voltage	18 VDC Maximum
Drop-Out Voltage	1 - 5 VDC
Coil Current @ 28 VDC & +25°C	
In-Rush	0.6 Amp
Hold	0.6 Amp
Operating Temperature	-55°C to +71°C
Life:	
Electrical	50,000 Cycles
Mechanical	100,000 Cycles
Weight Maximum	3 Lbs. 7 Oz.

For factory-direct application assistance, contact the HARTMAN product team at (419) 521-9500, Fax (419) 526-2749.

© 2004 by Tyco Electronics Corporation. All Rights Reserved. HARTMAN and TYCO are trademarks.