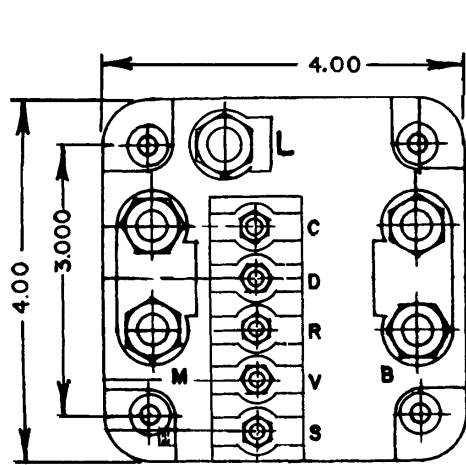


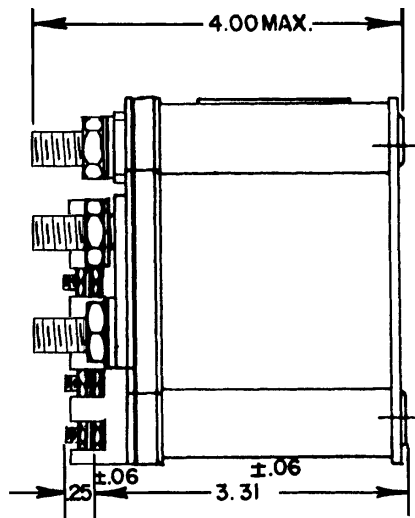
A-757D SPST, 600 Amps, 28 VDC

Features:

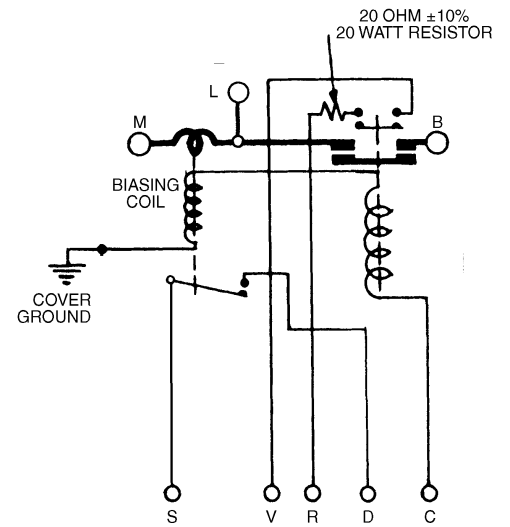
- SPST Main Contacts
- Automatic Dropout at 180 Amps
- 28 VDC
- 600 Amps
- High Reliability
- Meets many requirements of MIL-R-6106



Dimensions for this product are expressed in inches. Multiply values by 25.4 for millimeters.



CONTACTOR CONFIGURATION



Notes:

PRODUCT SPECIFICATIONS	
Maximum Operating Voltage	38 Volts
Maximum Pick-Up Voltage	18 Volts
Maximum Drop-Out Voltage	7 Volts
Maximum Pick-Up Current	450 Amps Maximum
Drop-Out Current at Any Contactor Voltage	180 ±20 Amps
Rated Load	600 Amps
Maximum Coil Current	.4 Amps
Rated Duty	Continuous
Nominal Coil Voltage	28 Volts
Signal Resistor	20 Ohms ±10%, 20 W.
Life Electrical	25,000 Cycles
Weight Maximum	4 Lbs. 2 Oz.

For factory-direct application assistance, contact the HARTMAN product team at (419) 521-9500, Fax (419) 526-2749.

© 2004 by Tyco Electronics Corporation. All Rights Reserved. HARTMAN and TYCO are trademarks.

Catalog (web doc only)
Revised 5-04

www.tycoelectronics.com

Dimensions are in inches and millimeters unless otherwise specified. Values in brackets are metric equivalents.

Dimensions are shown for reference purposes only. Specifications subject to change.

USA: 1-800-522-6752
Canada: 1-905-470-4425
Mexico: 01-800-733-8926
C. America: 52-55-5-729-0425

South America: 55-11-3611-1514
Hong Kong: 852-2735-1628
Japan: 81-44-844-8013
UK: 44-141-810-8967