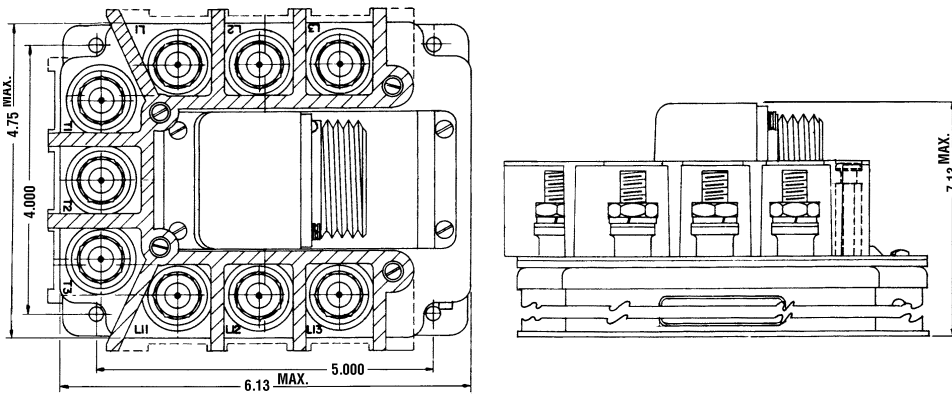


# B-124GL 3PDT, Center Off, 250 Amps, 208 VAC, 400 Hz

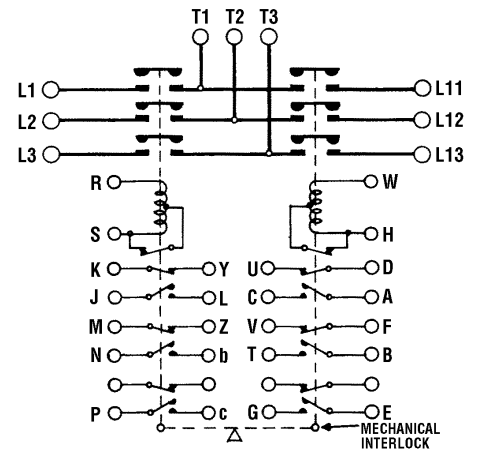


Dimensions for this product are expressed in inches. Multiply values by 25.4 for millimeters.

**Features:**

- 3PDT Center Off, Double Break Main Contacts
- Mechanically Interlocked
- 208 VAC, 400 Hz
- 250 Amps
- High Reliability
- Meets many requirements of MIL-R-6106

**CONTACTOR CONFIGURATION**



**Notes:**

PRODUCT SPECIFICATIONS	
Construction	Gasket Sealed, Vented
Main Contacts:	
Configuration	3PDT Center Off
Voltage (Nominal)	208 VAC, 400 Hz
Current (Resistive)	250 Amps
Auxiliary Contacts:	
Configuration	6-SPST N.O., 6-SPST N.C.
Voltage (Nominal)	28 VDC or 28 VAC, 400 Hz
Current (Resistive)	10 Amps
Coil Data:	
Duty Cycle	Continuous (Economizing)
Voltage (Nominal)	26 VDC
Pick-Up Voltage	18 VDC Maximum
Drop-Out Voltage	1.5 - 7 VDC
Coil Current @ 28 VDC & +25°C	
In-Rush	2 Amps Maximum
Hold	0.3 Amps Maximum
Operating Temperature	-65°F to +160°F
Life:	
Electrical	30,000 Cycles
Mechanical	100,000 Cycles
Weight	9 Lbs. 15 Oz.

For factory-direct application assistance, contact the HARTMAN product team at (419) 521-9500, Fax (419) 526-2749.

© 2004 by Tyco Electronics Corporation. All Rights Reserved. HARTMAN and TYCO are trademarks.