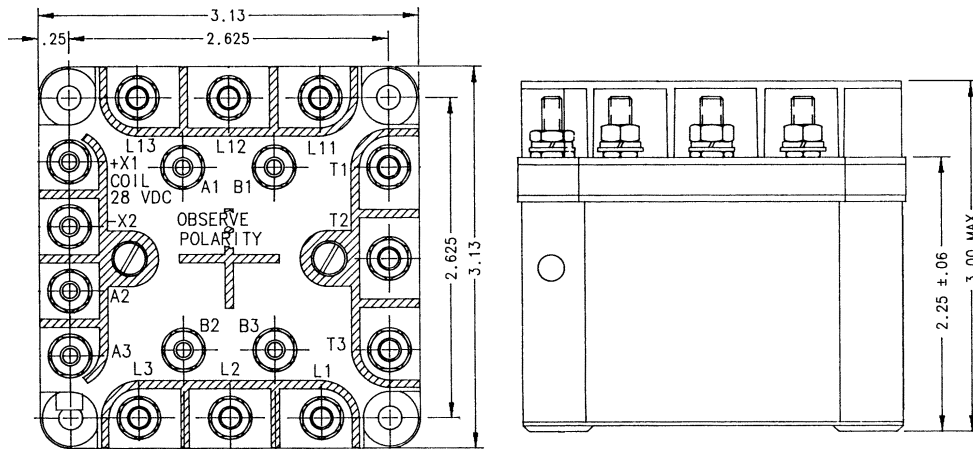


# B-138XAH 3PDT N.C., 60 Amps, 200 VAC, 400 Hz

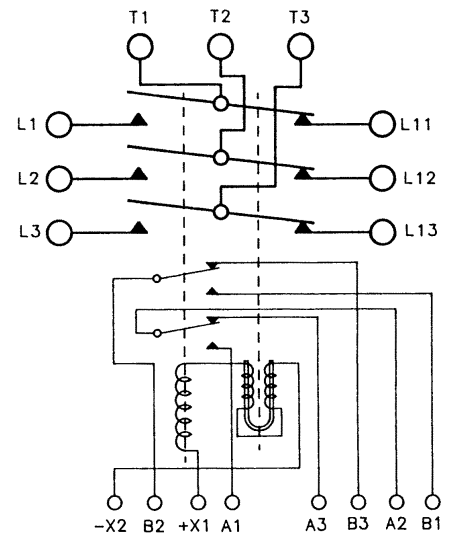


Dimensions for this product are expressed in inches.  
Multiply values by 25.4 for millimeters.

**Features:**

- 3PDT N.C. Main Contacts
- 200 VAC, 400 Hz
- 60 Amps
- High Reliability
- Meets many requirements of MIL-R-6106

**CONTACTOR CONFIGURATION**



**Notes:**

PRODUCT SPECIFICATIONS	
Construction	Gasket Sealed, Vented
Main Contacts:	
Configuration	3PDT
Voltage (Nominal)	200 VAC, 400 Hz
Current (Resistive)	60 Amps
Auxiliary Contacts	
Configuration	2-SPDT
Voltage (Nominal)	28 VDC or 200 VAC, 400 Hz
Current	
Resistive	5 Amps
Inductive	3 Amps
Motor	3 Amps
Coil Data:	
Duty Cycle	Continuous
Voltage (Nominal)	28 VDC
Pick-Up Voltage	18 VDC Maximum
Drop-Out Voltage	1.5 - 7 VDC
Coil Current @t 29 VDC & +25°C	0.5 Amp Maximum
Weight	1 Lb. 8.5 Oz.

For factory-direct application assistance, contact the HARTMAN product team at (419) 521-9500, Fax (419) 526-2749.

© 2004 by Tyco Electronics Corporation. All Rights Reserved.  
HARTMAN and TYCO are trademarks.