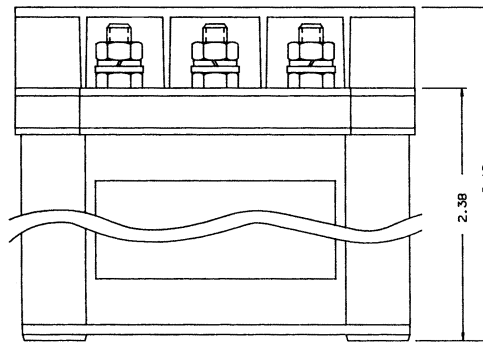
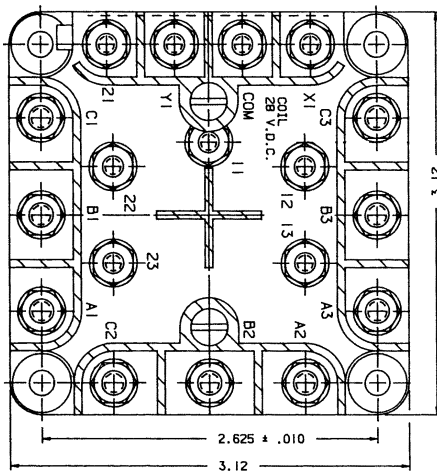


B-140AA 3PDT, Center Off, 60 Amps, 200 VAC, 400 Hz



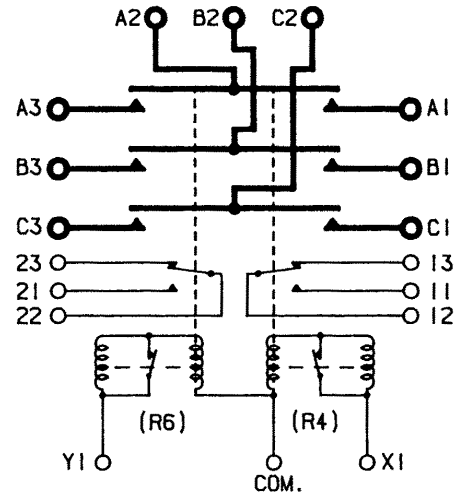
Features:

- 3PDT Center Off Main Contacts
- 200 VAC, 400 Hz
- 60 Amps
- High Reliability
- Meets many requirements of MIL-R-6106



Dimensions for this product are expressed in inches. Multiply values by 25.4 for millimeters.

CONTACTOR CONFIGURATION



Notes:

PRODUCT SPECIFICATIONS	
Construction	Gasket Sealed, Vented
Main Contacts:	
Configuration	3PDT Center Off
Voltage (Nominal)	200 VAC, 400 Hz
Current (Resistive)	60 Amps
Auxiliary Contacts:	
Configuration	2-SPDT
Voltage (Nominal)	28 VDC
Current	
Resistive	5 Amps
Inductive	3 Amps
Motor	1 Amp
Coil Data:	
Duty Cycle	Continuous
Voltage (Nominal)	28 VDC
Pick-Up Voltage	18 VDC Maximum
Drop-Out Voltage	1.5 - 7 VDC
Coil Current @ 28 VDC & +25°C	
In-Rush	5 Amps Maximum
Hold	0.35 Amp Maximum
Operating Temperature	+71°C Maximum
Life:	
Electrical	50,000 Cycles
Weight	1 Lb. 10 Oz.

For factory-direct application assistance, contact the HARTMAN product team at (419) 521-9500, Fax (419) 526-2749.

© 2004 by Tyco Electronics Corporation. All Rights Reserved. HARTMAN and TYCO are trademarks.