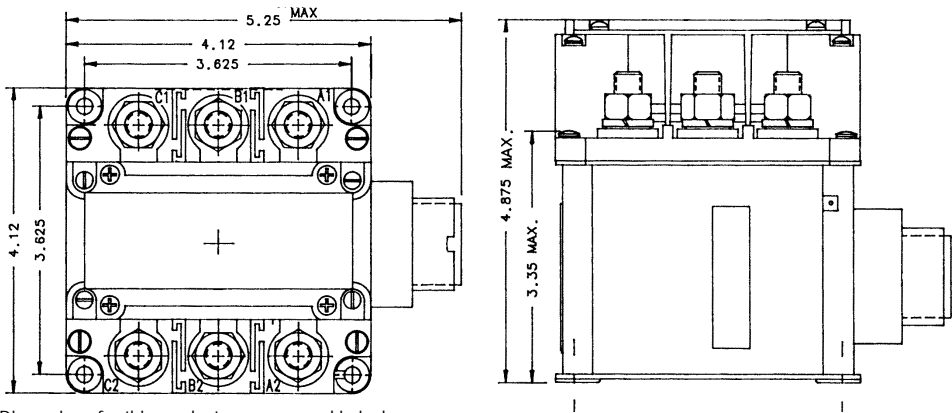
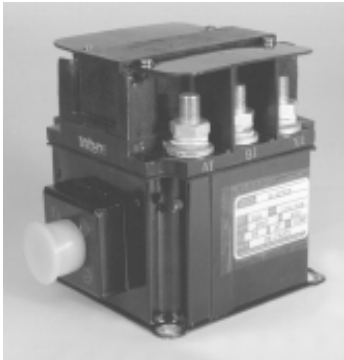


**B-429CA 3PST N.O., 350 Amps,  
120/208 VAC, 400 Hz**

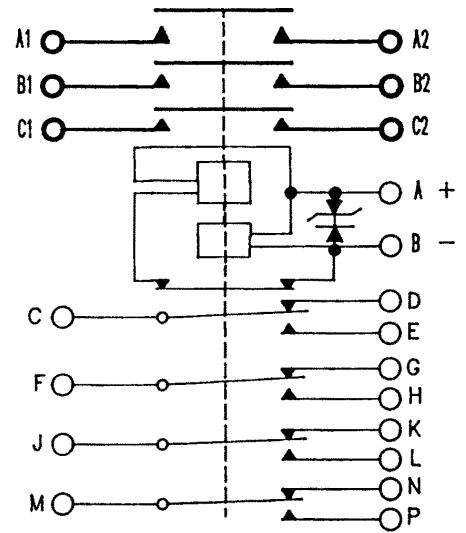


Dimensions for this product are expressed in inches. Multiply values by 25.4 for millimeters.

**Features:**

- 3PST N.O. Main Contacts
- Transient Suppression
- Economizing Coil
- 120/208 VAC, 400 Hz
- 350 Amps
- High Reliability
- Meets many requirements of MIL-R-6106

**CONTACTOR CONFIGURATION**



**Notes:**

PRODUCT SPECIFICATIONS	
Construction	Gasket Sealed, Vented
Main Contacts:	
Configuration	3PST N.O.
Voltage (Nominal)	120/208 VAC, 400 Hz
Current (Resistive)	350 Amps
Auxiliary Contacts:	
Configuration	4-SPDT
Voltage (Nominal)	28 VDC or 115 VAC, 400 Hz
Current	
Resistive	5 Amps
Inductive	3 Amps
Lamp	2 Amps
Coil Data:	
Duty Cycle	Continuous (Economizing)
Voltage (Nominal)	28 VDC
Pick-Up Voltage	18 VDC Maximum
Drop-Out Voltage	1 - 7 VDC
Coil Current @ 28 VDC & +25°C	
In-Rush	2.7 Amps Maximum
Hold	.58 Amps Maximum
Operating Temperature	-55°C to +85°C
Life:	
Electrical	50,000 Cycles
Mechanical	100,000 Cycles
Weight	4 Lbs.

For factory-direct application assistance, contact the HARTMAN product team at (419) 521-9500, Fax (419) 526-2749.

© 2004 by Tyco Electronics Corporation. All Rights Reserved. HARTMAN and TYCO are trademarks.