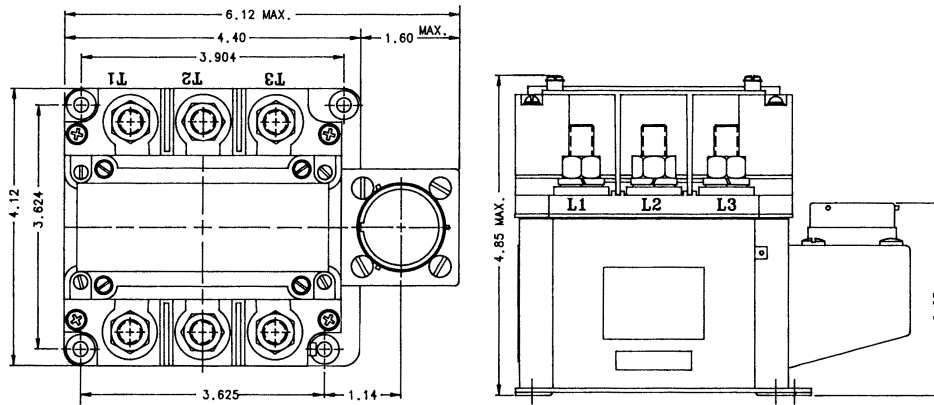


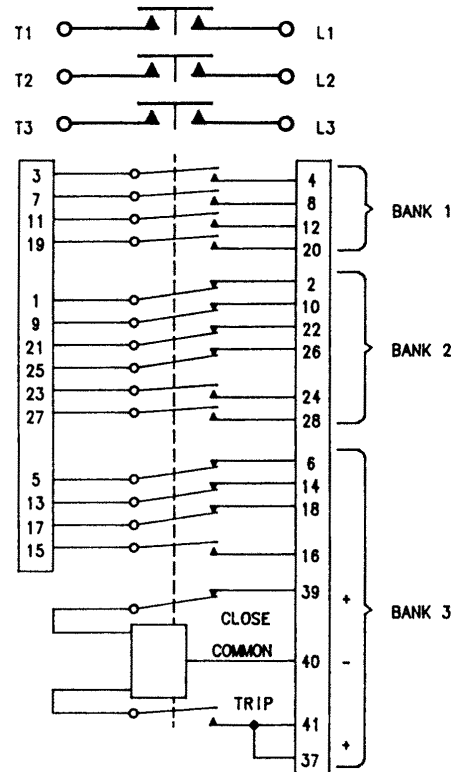
# B-430-1 3PST, Magnetic Latch, 275 Amps, 115/200 VAC, 400 Hz



**Features:**

- 3PST Main Contacts
- Magnetic Latch
- Self De-Energizing Coil
- 115/200 VAC, 400 Hz
- 275 Amps
- High Reliability
- Meets many requirements of MIL-R-6106

**CONTACTOR CONFIGURATION**



Notes:

PRODUCT SPECIFICATIONS	
Construction	Gasket Sealed, Vented
Main Contacts:	
Configuration	3PST Magnetic Latch
Voltage (Nominal)	115/200 VAC, 400 Hz
Current (Resistive)	275 Amps, 115 / 200 VAC, Continuous
Auxiliary Contacts:	
Configuration	7-SPST N.O., 7-SPST N.C.
Rating	
Low Level	10 mA @ 28 VDC
High Level	7.5 Amps @ 28 VDC or 1 Amp @ 240 VAC
Coil Data:	
Duty Cycle	Continuous, Self De-Energizing
Voltage (Nominal)	28 VDC
Operate Voltage	
Close	15 - 28 VDC
Trip	15 - 28 VDC
Coil Current @ 28 VDC & +25°C	
Close	6 Amps Maximum
Trip	6 Amps Maximum
Operating Temperature	-55°C to +85°C
Life:	
Electrical	50,000 Cycles
Mechanical	100,000 Cycles
Weight	4 Lbs.

For factory-direct application assistance, contact the HARTMAN product team at (419) 521-9500, Fax (419) 526-2749.

© 2004 by Tyco Electronics Corporation. All Rights Reserved. HARTMAN and TYCO are trademarks.