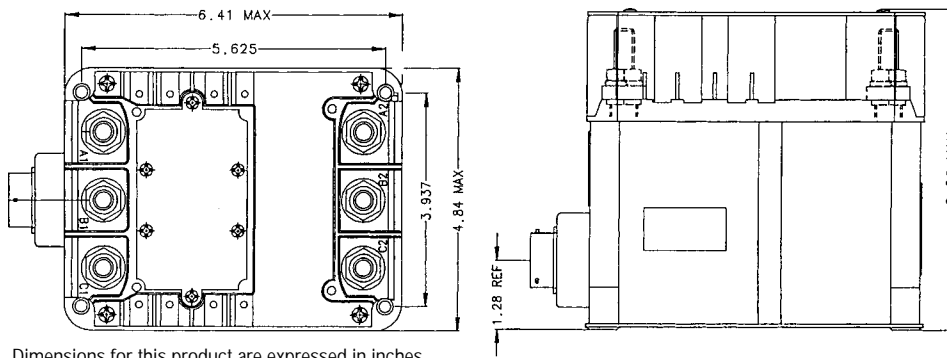


BE-500G-1 3PST N.O., 50 Amps, 120 VAC



Dimensions for this product are expressed in inches. Multiply values by 25.4 for millimeters.

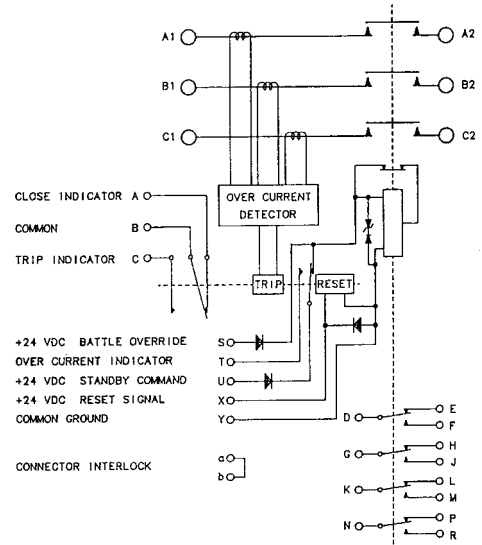
Features:

- 3PST N.O. Main Contacts
- Overload Current Sensing
- 120 VAC
- 50 Amps
- High Reliability
- Meets many requirements of MIL-R-6106

Features:

- Overload Current Sensing

CONTACTOR CONFIGURATION



Notes:

PRODUCT SPECIFICATIONS	
Construction	Gasket Sealed, Vented
Main Contacts:	
Configuration	3PST N.O.
Voltage (Nominal)	120/208 VAC, 400 Hz
Current (Resistive)	50 Amps
Auxiliary Switches:	
Configuration	5-SPDT
Voltage (Nominal)	28 VDC
Current	
Resistive	5 Amps
Inductive	3 Amps
Lamp	2 Amps
Coil Data:	
Duty Cycle	Continuous
Voltage (Nominal)	28 VDC
Pick-Up Voltage	18 VDC Maximum
Drop-Out Voltage	1 - 9 VDC
Coil Current @ 28 VDC & +25°C	
In-Rush	3.4 Amps Maximum
Hold	1 Amp Maximum
Operating Temperature	-54°C to +71°C
Life:	
Electrical	50,000 Cycles Minimum
Mechanical	100,000 Cycles Minimum
Weight	9 Lb.4 Oz.
Continuous Current	50 Amps
Trip Point - Three Phase	50.5 - 60 Amps
Trip Point - Single Phase	69.0 Amps Max.
Catastrophic Trip	500 Amps ±10%

For factory-direct application assistance, contact the HARTMAN product team at (419) 521-9500, Fax (419) 526-2749.

© 2004 by Tyco Electronics Corporation. All Rights Reserved. HARTMAN and TYCO are trademarks.