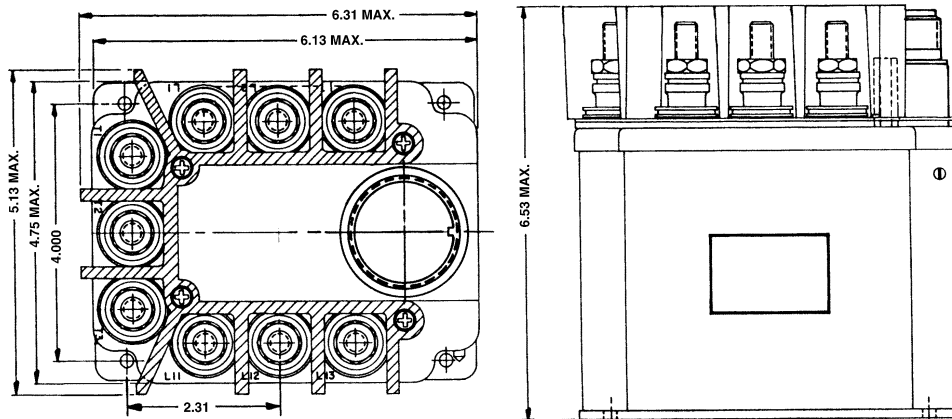


BH-124AA 3PDT, Center Off, 250 Amps, 115/200 VAC, 400 Hz

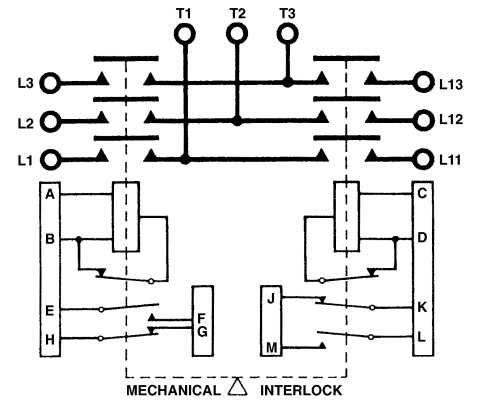
Features:

- 3PDT Center Off Main Contacts
- Mechanically Interlocked
- Hermetically Sealed
- Economizing Coil
- 115/200 VAC, 400 Hz
- 250 Amps
- High Reliability
- Meets many requirements of MIL-R-6106



Dimensions for this product are expressed in inches. Multiply values by 25.4 for millimeters.

CONTACTOR CONFIGURATION



Notes:

| PRODUCT SPECIFICATIONS | |
|-------------------------------|---------------------------|
| Construction | Hermetically Sealed |
| Main Contacts: | |
| Configuration | 3PDT Center Off |
| Voltage (Nominal) | 115/200 VAC, 400 Hz |
| Current (Resistive) | 250 Amps |
| Auxiliary Contacts: | |
| Configuration | 2-SPST N.O., 2-SPST N.C. |
| Voltage (Nominal) | 28 VDC or 115 VAC, 400 Hz |
| Current | |
| Resistive | 7 Amps |
| Inductive | 7 Amps |
| Lamp | 4 Amps |
| Coil Data: | |
| Duty Cycle | Continuous (Economizing) |
| Voltage (Nominal) | 28 VDC |
| Pick-Up Voltage | 18 VDC Maximum |
| Drop-Out Voltage | 1 - 7 VDC |
| Coil current @ 28 VDC & +25°C | |
| In-Rush | 3.3 Amps Maximum |
| Hold | 0.4 Amps Maximum |
| Operating Temperature | -55°C to +71°C |
| Life: | |
| Electrical | 50,000 Cycles |
| Mechanical | 100,000 Cycles |
| Weight | 10 Lbs. 10 Oz. |

For factory-direct application assistance, contact the HARTMAN product team at (419) 521-9500, Fax (419) 526-2749.

© 2004 by Tyco Electronics Corporation. All Rights Reserved. HARTMAN and TYCO are trademarks.

Catalog (web doc only)
Revised 5-04

www.tycoelectronics.com

Dimensions are in inches and millimeters unless otherwise specified. Values in brackets are metric equivalents.

Dimensions are shown for reference purposes only. Specifications subject to change.

USA: 1-800-522-6752
Canada: 1-905-470-4425
Mexico: 01-800-733-8926
C. America: 52-55-5-729-0425

South America: 55-11-3611-1514
Hong Kong: 852-2735-1628
Japan: 81-44-844-8013
UK: 44-141-810-8967