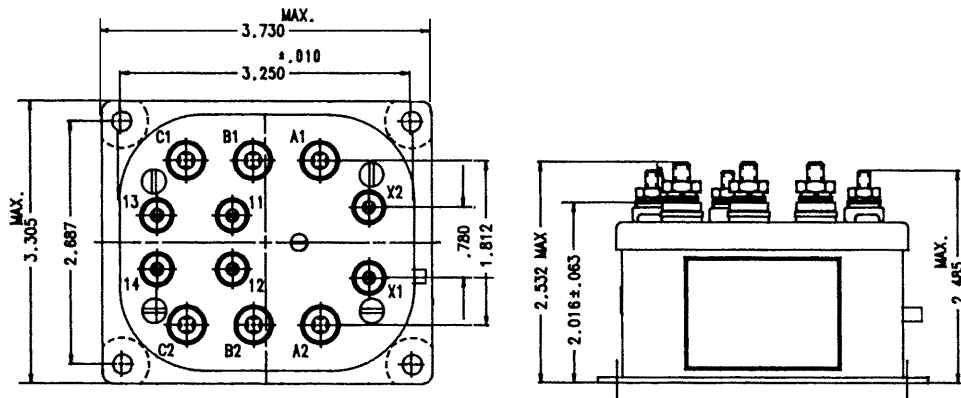


BH-316A 3PST N.O., 50 Amps, 28 VDC or 115 VAC, 400 Hz

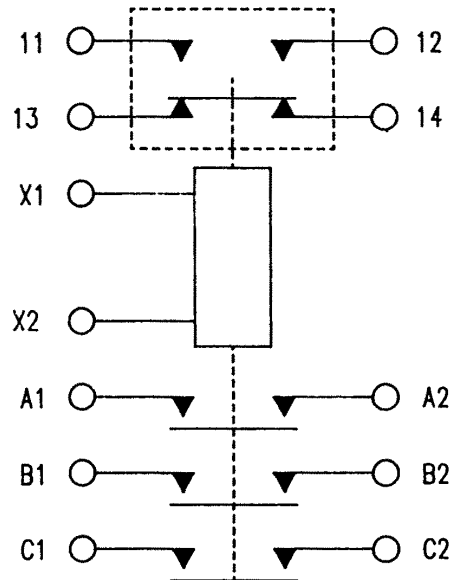


Dimensions for this product are expressed in inches. Multiply values by 25.4 for millimeters.

Features:

- 3PST N.O. Main Contacts
- Hermetically Sealed
- 28 VDC or 115 VAC, 400 Hz
- 50 Amps
- High Reliability
- Meets many requirements of MIL-R-6106
- Light Weight Construction

CONTACTOR CONFIGURATION



Notes:

PRODUCT SPECIFICATIONS	
Construction	Hermetically Sealed, Repairable
Contact Configuration	Mains 3PST N.O. Auxiliary 1 N.O., 1 N.C.
Contact Rating:	
Voltage	115 VAC, 400 Hz or 28 VDC
Current at 125°C (AC or DC)	Mains Auxiliary
Resistive	50 Amps 5 Amps
Motor	50 Amps 5 Amps
Inductive	50 Amps 5 Amps
Lamp	25 Amps 1 Amp
Coil Data:	
Rating	Continuous Duty
Nominal Voltage	28 VDC
Pick Up Voltage	18 VDC Maximum
Drop Out Voltage	1.5 - 7 VDC
Current at 29 VDC	0.5 Amps Maximum
Operate Time at 25°C and 28 VDC:	
Close Time	0.025 Seconds Maximum
Release Time	0.010 Seconds Maximum
Bounce Main	2 MS Maximum
Bounce Auxiliary	4 MS Maximum
Ambient Temperature	-55°C to +125°C
Life Electrical	100,000 Cycles
Life Mechanical	200,000 Cycles
Weight Maximum	1.20 Lbs.

For factory-direct application assistance, contact the HARTMAN product team at (419) 521-9500, Fax (419) 526-2749.

© 2004 by Tyco Electronics Corporation. All Rights Reserved. HARTMAN and TYCO are trademarks.