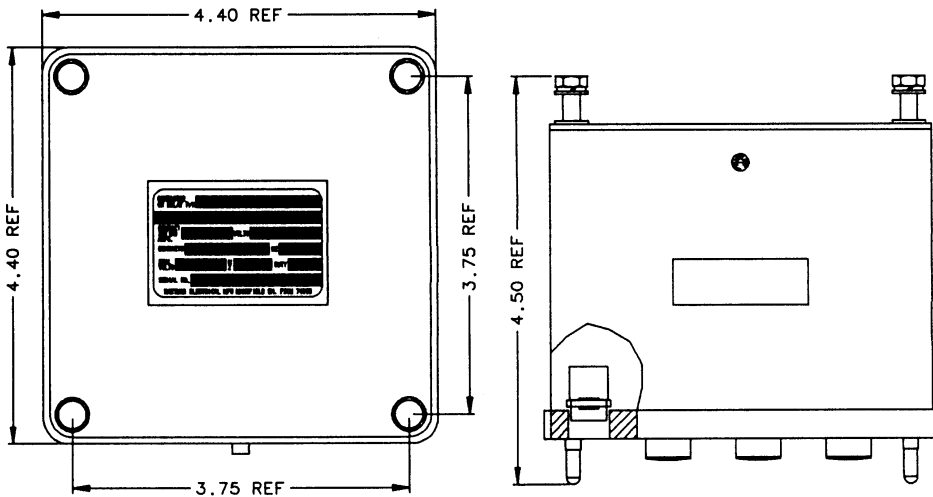
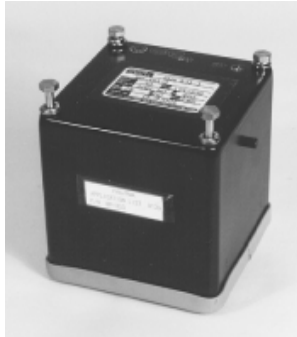


**BP-494 3PST N.O., 275 Amps,
115/200 VAC, 400 Hz**

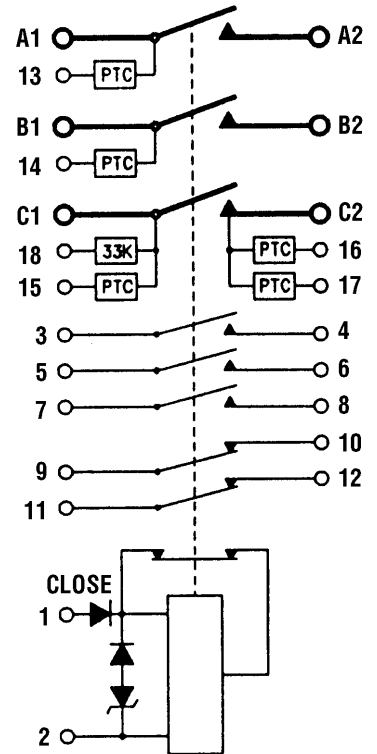


Dimensions for this product are expressed in inches. Multiply values by 25.4 for millimeters.

Features:

- 3PST N.O. Main Contacts
- Transient Suppression
- Designed for ease of maintenance
- Less than 10µ contact chatter during high vibration
- 115/200 VAC, 400 Hz
- 275 Amps
- High Reliability
- Meets many requirements of MIL-R-6106
- Light Weight Construction

CONTACTOR CONFIGURATION



Notes:

PRODUCT SPECIFICATIONS	
Construction	Gasket Sealed, Vented, Plug-In
Main Contacts: Configuration Voltage (Nominal) Current	3PST N.O. 115/200 VAC, 400 Hz 275 Amps
Auxiliary Contacts: Configuration Voltage (Nominal) Current (Resistive)	3-SPST N.O., 2 SPST N.C. 28 VDC 600 mA
Coil Data: Duty Cycle Voltage (Nominal) Pick-Up Voltage Drop-Out Voltage Coil Current @ 28 VDC & +25°C In-Rush Hold	Continuous 28 VDC 18 VDC Maximum 1.5 - 10 VDC 10 Amps Maximum 0.64 Amps Maximum
Operating Temperature	-15°C to +70°C
Life: Electrical Mechanical	50,000 Cycles 100,000 Cycles
Weight	3 Lbs. 8 Oz.

For factory-direct application assistance, contact the HARTMAN product team at (419) 521-9500, Fax (419) 526-2749.

© 2004 by Tyco Electronics Corporation. All Rights Reserved. HARTMAN and TYCO are trademarks.