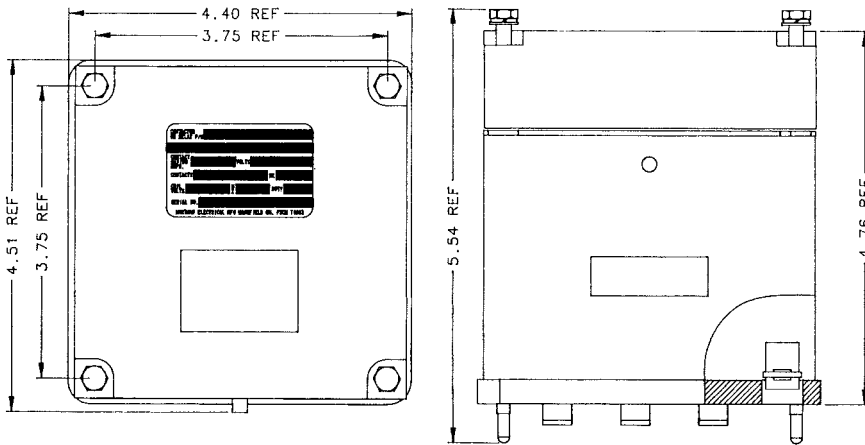


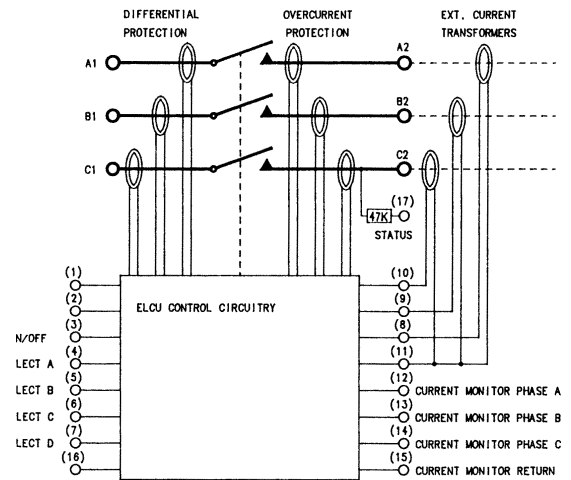
**BPE-494 3PST N.O. ELCU, 175 Amps, 115/200 VAC, 400 Hz**



**Features:**

- 3PST N.O. ELCU Main Contacts
- Senses Differential Fault
- Overload Protection
- Less than 10µ contact chatter during high vibration
- 115/200 VAC, 400 Hz
- 175 Amps
- High Reliability
- Meets many requirements of MIL-R-6106
- Light Weight Construction

**CONTACTOR CONFIGURATION**



PRODUCT SPECIFICATIONS	
Construction	Gasket Sealed, Vented, Plug-In
Main Contacts:	
Configuration	3PST N.O.
Voltage (Nominal)	115/200 VAC, 400 Hz
Current	175 Amps
Coil Data:	
Duty Cycle	Continuous
Voltage (Nominal)	28 VDC
Pick-Up Voltage	18 VDC Maximum
Drop-Out Voltage	1.5 - 10 VDC
Coil Current @ 28 VDC & +25°C	
In-Rush	6.5 Amps Maximum
Hold	1.0 Amp Maximum
Operating Temperature	-15°C to +70°C
Life:	
Electrical	50,000 Cycles
Mechanical	100,000 Cycles
Weight	4 Lbs. 4 Oz.

ELCU CONTROL
Overcurrent: Pin programmable for 20 to 60 kVA rating. I <sup>2</sup> t trip.
Differential Trip: 10 - 30 Amps when used in conjunction with external current transformers.
Hard Fault: Instantaneous trip if DC supply drops below 10 volts and fault current is greater than 250 Amps.
Anti-Cycle: DC supply can drop to 5 VDC for up to 0.200 Sec after a trip and the unit will not reset. Unit must reset if the DC supply drops below 5 VDC for 0.350 Sec after a trip.
Command Reset: Open COMMAND line for 0.005 Sec min. and reapply ground.
Command Trip: Commit to trip activating lockout within 0.005 Sec, main contacts open within 0.015 Sec.
Current Monitor: Three phase levels monitored and provided as pulse width modulated output. 50% Mark Space = 0 Amps 75% Mark Space = 175 Amps

For factory-direct application assistance, contact the HARTMAN product team at (419) 521-9500, Fax (419) 526-2749.

© 2004 by Tyco Electronics Corporation. All Rights Reserved. HARTMAN and TYCO are trademarks.

Catalog (web doc only)  
Revised 5-04

www.tycoelectronics.com

Dimensions are in inches and millimeters unless otherwise specified. Values in brackets are metric equivalents.

Dimensions are shown for reference purposes only. Specifications subject to change.

USA: 1-800-522-6752  
Canada: 1-905-470-4425  
Mexico: 01-800-733-8926  
C. America: 52-55-5-729-0425

South America: 55-11-3611-1514  
Hong Kong: 852-2735-1628  
Japan: 81-44-844-8013  
UK: 44-141-810-8967

**Notes:**