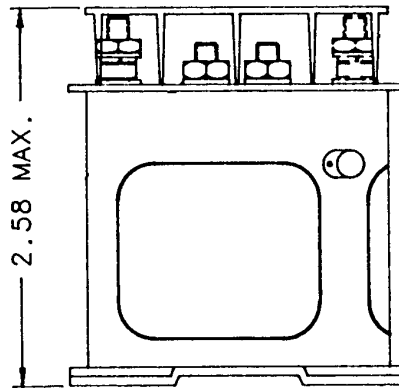
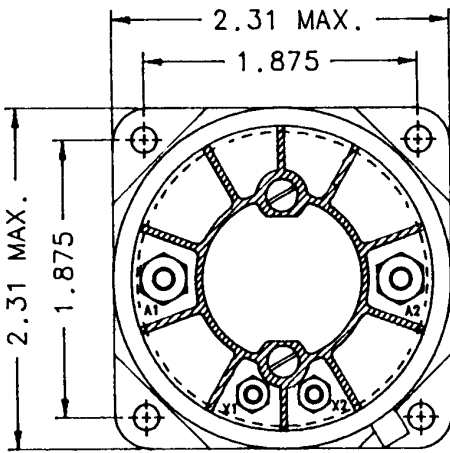


**C-21Y SPST N.O., Double Break, 60 Amps,  
28 VDC or 115 VAC, 400 Hz**

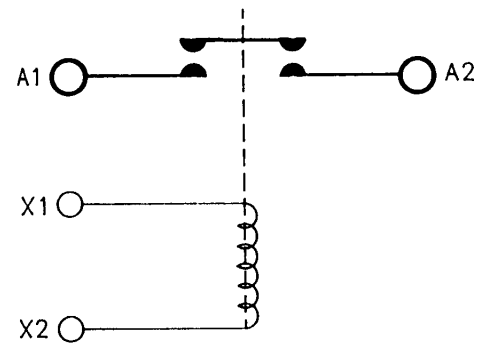


Dimensions for this product are expressed in inches. Multiply values by 25.4 for millimeters.

**Features:**

- SPST N.O. Double Break Main Contacts
- 28 VDC or 115 VAC, 400 Hz
- 60 Amps
- High Reliability
- Meets many requirements of MIL-R-6106
- Light Weight Construction

**CONTACTOR CONFIGURATION**



Notes:

PRODUCT SPECIFICATIONS	
Construction	Gasket Sealed, Vented
Main Contacts	
Configuration	SPST N.O.
Voltage (Nominal)	28 VDC or 115 VAC, 400 Hz
Current (Resistive)	60 Amps
Coil Data:	
Duty Cycle	Continuous
Voltage (Nominal)	28 VDC
Pick-Up Voltage	18 VDC Maximum
Drop-Out Voltage	1.5 - 7 VDC
Coil Current @ 28 VDC & +25°C	
In-Rush	.30 Amps Maximum
Hold	.30 Amps Maximum
Operating Temperature	-55°C to +71°C
Life:	
Electrical	50,000 Cycles
Mechanical	100,000 Cycles
Weight	8.4 Oz.

For factory-direct application assistance, contact the HARTMAN product team at (419) 521-9500, Fax (419) 526-2749.

© 2004 by Tyco Electronics Corporation. All Rights Reserved. HARTMAN and TYCO are trademarks.