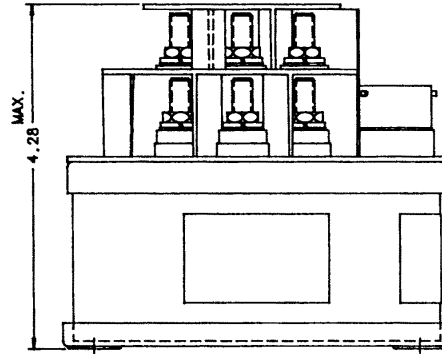
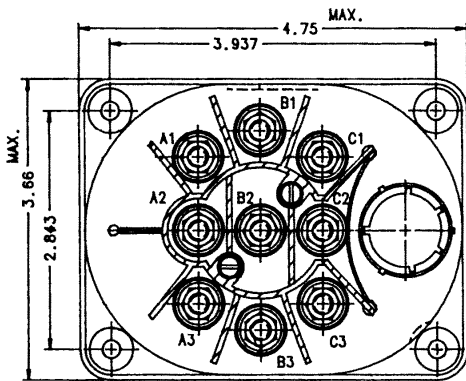


# D-31TFA 3PDT, Center Off, 100 Amps, 115/208 VAC, 400 Hz



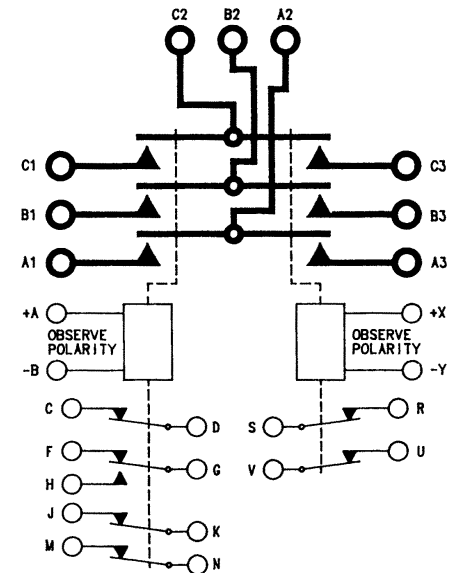
**Features:**

- 3PDT Center Off Main Contacts
- Mechanically Interlocked
- 115/208 VAC, 400 Hz
- 100 Amps
- High Reliability
- Meets many requirements of MIL-R-6106



Dimensions for this product are expressed in inches. Multiply values by 25.4 for millimeters.

**CONTACTOR CONFIGURATION**



PRODUCT SPECIFICATIONS	
Construction	Gasket Sealed, Vented
Main Contacts:	
Configuration	3PDT Center Off
Voltage (Nominal)	115/208 VAC, 400 Hz
Current (Resistive)	100 Amps
Auxiliary Contacts:	
Configuration	5PST N.C. & 1PDT
Voltage (Nominal)	28 VDC or 115 VAC, 400 Hz
Current	
Resistive	3 Amps
Inductive	3 Amps
Lamp	1 Amp
Coil Data:	
Duty Cycle	Continuous
Voltage (Nominal)	28 VDC
Pick-Up Voltage	18 VDC maximum
Drop-Out	2.5 - 6.5 VDC
Coil Current @ 28 VDC & +25°C	215 Milliampes Maximum
Operating Temperature	-55°C to +71°C
Life:	
Electrical	50,000 Cycles
Mechanical	100,000 Cycles
Weight Maximum	2.5 Lbs.

**Notes:**

For factory-direct application assistance, contact the HARTMAN product team at (419) 521-9500, Fax (419) 526-2749.

© 2004 by Tyco Electronics Corporation. All Rights Reserved. HARTMAN and TYCO are trademarks.