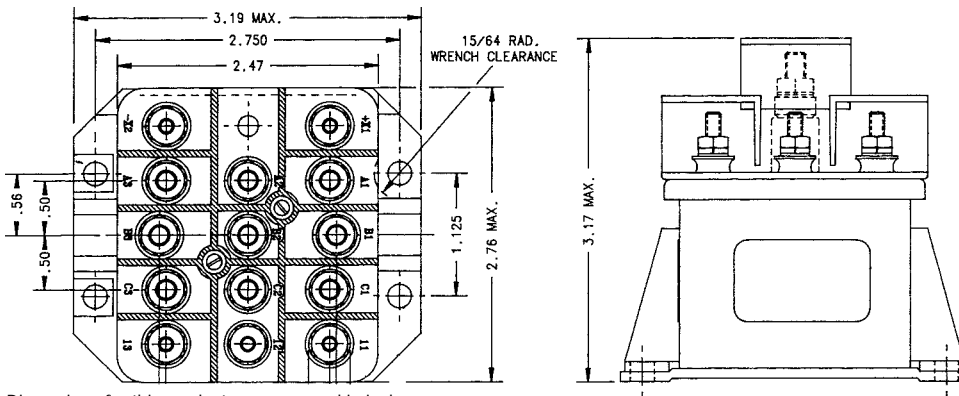


# D-7GR 3PDT, 50 Amps, 115/200 VAC, 400 Hz



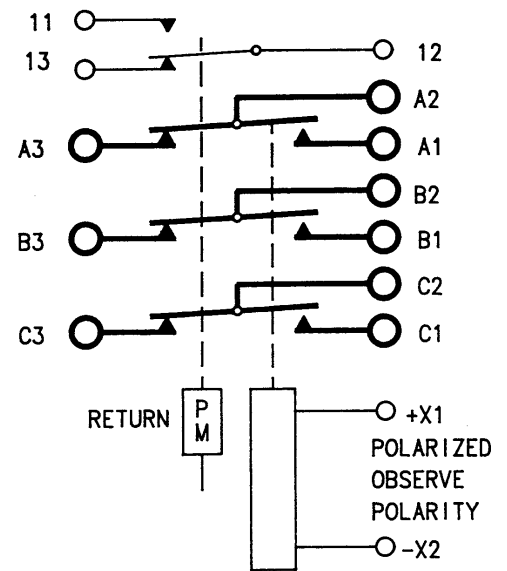
**Features:**

- 3PDT Main Contacts
- Mechanically Interlocked
- 115/220 VAC, 400 Hz
- 25 Amps
- High Reliability
- Meets many requirements of MIL-R-6106



Dimensions for this product are expressed in inches. Multiply values by 25.4 for millimeters.

**CONTACTOR CONFIGURATION**



Notes:

PRODUCT SPECIFICATIONS	
Construction	Gasket Sealed, Vented
Main Contacts:	
Configuration	3PDT
Voltage (Nominal)	2 Poles 28 VDC & 2 Poles 115 VAC, 400 Hz
Current (Resistive)	50 Amps
Auxiliary Contacts:	
Configuration	SPDT
Voltage (Nominal)	28 VDC or 115 VAC, 400 Hz
Current	
Resistive	3 Amps
Inductive	3 Amps
Lamp	1 Amp
Coil Data:	
Duty Cycle	Continuous
Voltage (Nominal)	28 VDC
Pick-Up Voltage	18 VDC Maximum
Drop-Out Voltage	2.5 - 6.5 VDC
Coil Current @ 28 VDC & +25°C	280 Amps Maximum
Operating Temperature	-55°C to +71°C
Life:	
Electrical	50,000 Cycles
Mechanical	100,000 Cycles
Weight	1 Lb 2 Oz..

For factory-direct application assistance, contact the HARTMAN product team at (419) 521-9500, Fax (419) 526-2749.

© 2004 by Tyco Electronics Corporation. All Rights Reserved. HARTMAN and TYCO are trademarks.