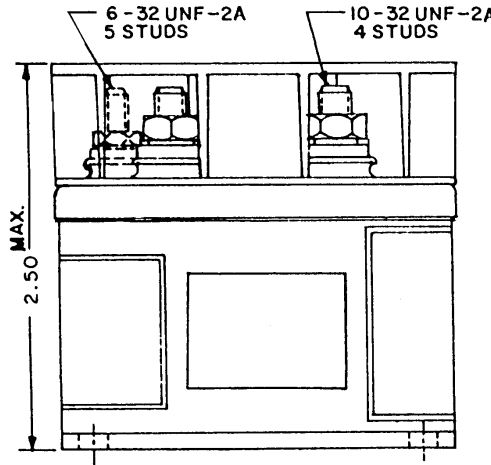
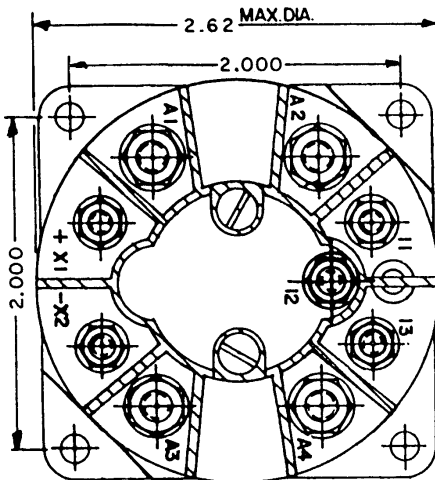


D-7TD 2SPST 1 N.O. & 1 N.C., 50 Amps, 28 VDC

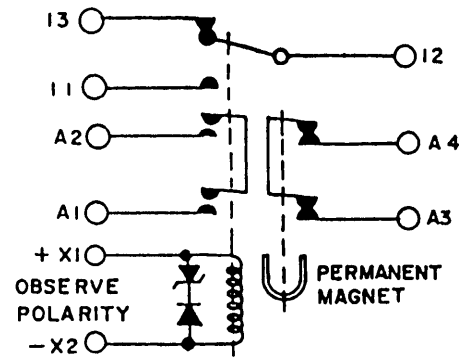


Features:

- 2SPST Main Contacts
- Transient Suppression
- Mechanically Interlocked
- 28 VDC
- 50 Amps
- High Reliability
- Meets many requirements of MIL-R-6106
- Light Weight Construction



CONTACTOR CONFIGURATION



Notes:

Dimensions for this product are expressed in inches. Multiply values by 25.4 for millimeters.

PRODUCT SPECIFICATIONS	
Construction	Gasket Sealed, Vented
Main Contacts:	
Configuration	2 SPST 1 N.O. & 1 N.C.
Voltage (Nominal)	28 Volts DC
Current (Resistive)	50 Amperes
Auxiliary Contacts:	
Configuration	SPDT
Voltage (Nominal)	28 Volts DC or 115 Volts, 400 Hz
Current (Resistive)	5 Amperes
Coil Data:	
Duty Cycle	Continuous
Voltage (Nominal)	28 Volts DC
Pick-Up Voltage	18 VDC Maximum
Drop-Out Voltage	1.5 - 7.0 Volts
Coil Current @ 28 VDC & 25°C	280 Milliamperes Max.
Operating Temperature	-55°C to +71°C
Life:	
Electrical	50,000 Cycles
Mechanical	100,000 Cycles
Weight Maximum	13 Oz.

For factory-direct application assistance, contact the HARTMAN product team at (419) 521-9500, Fax (419) 526-2749.

© 2004 by Tyco Electronics Corporation. All Rights Reserved. HARTMAN and TYCO are trademarks.