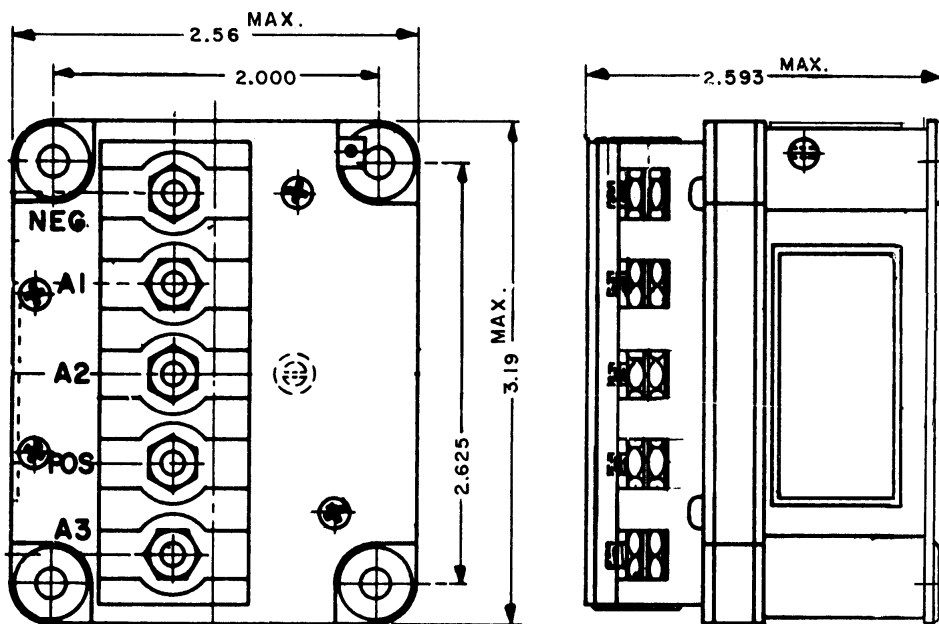


# E-308 SPDT, 3 Amps, 28 VDC

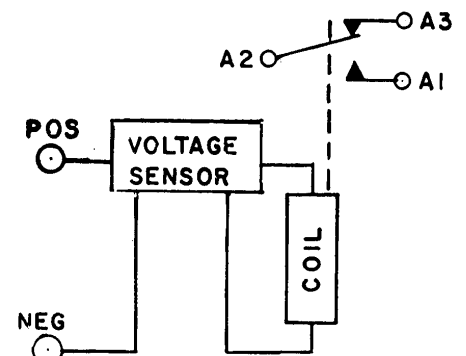
**Features:**

- SPDT Main Contacts
- Adjustment Pick-Up Voltage
- 28 VDC
- 3 Amps
- High Reliability
- Meets many requirements of MIL-R-6106
- Light Weight Construction



Dimensions for this product are expressed in inches. Multiply values by 25.4 for millimeters.

**CONTACTOR CONFIGURATION**



Notes:

**PRODUCT SPECIFICATIONS**

Construction	Gasket Sealed
Operating Voltage:	18 to 32 VDC
Continuous Duty	Adjustable from 18 to 28 VDC
Pick-Up Voltage	21.5 ±.3 VDC
Normal PU Setting	20.5 ±.2 VDC
Normal DO Setting	3 Amps Resistance at 28 VDC
Contact Rating	2 Amps Inductive at 28 VDC
	1 Amp Lamp at 28 VDC
Environmental:	
Temperature Operating	-50°F to 200°F
Vibration	.060 DA 5 to 55 Hz
10g Constant Acceleration	55 - 2,000 Hz
Weight Maximum	12 Oz.

For factory-direct application assistance, contact the HARTMAN product team at (419) 521-9500, Fax (419) 526-2749.

© 2004 by Tyco Electronics Corporation. All Rights Reserved. HARTMAN and TYCO are trademarks.