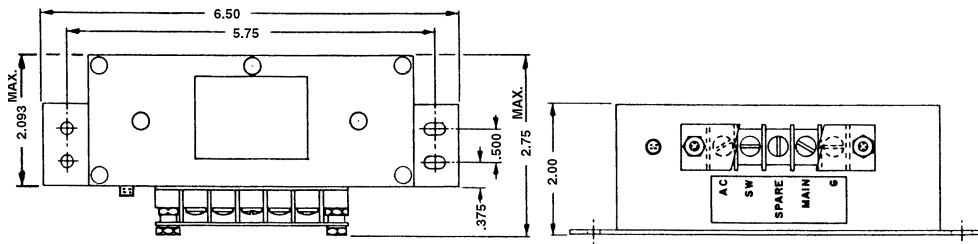


**E-381 SPDT, 5 Amps, 130 VAC**

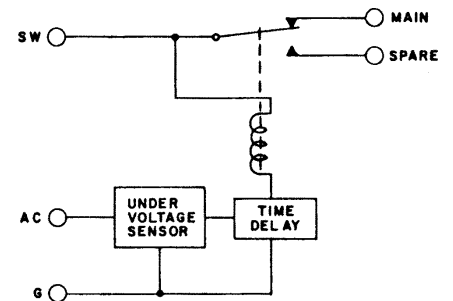
**Features:**

- SPDT Main Contacts
- Undervoltage Sensor with Time Delay
- 130 VAC, 400 Hz
- 5 Amps
- High Reliability
- Meets many requirements of MIL-R-6106



Dimensions for this product are expressed in inches. Multiply values by 25.4 for millimeters.

**CONTACTOR CONFIGURATION**



**Notes:**

PRODUCT SPECIFICATIONS	
Maximum AC Voltage	130 VAC, 400 Hz
Pick-Up	102.5 ±2.5 VAC
Drop-Out	92.5 ±2.5 VAC
Time Delay on Transfer	3.5 ±1.5 Seconds
Temperature	-55°C to +71°C
Contacts	SPDT, 5 Amps Resistive
Vibration	.06 D.A. 10 - 55 CPS
Shock	10 G's
Altitude	50,000 Feet
Weight Maximum	1.1 Lbs.

For factory-direct application assistance, contact the HARTMAN product team at (419) 521-9500, Fax (419) 526-2749.

© 2004 by Tyco Electronics Corporation. All Rights Reserved. HARTMAN and TYCO are trademarks.