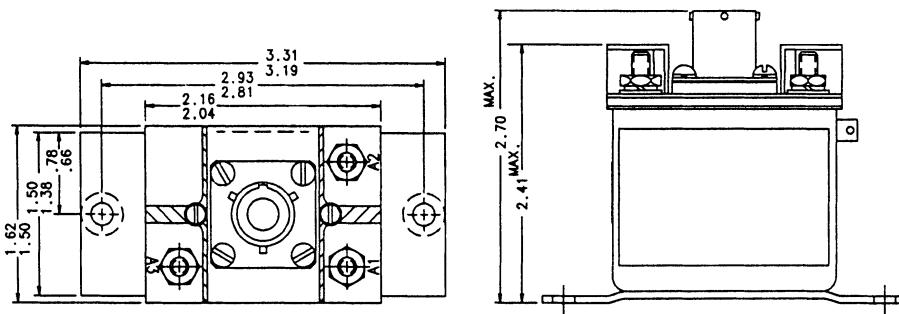


NN-233A SPDT, Double Break, 50 Amps, 28 VDC or 115 VAC, 400 Hz

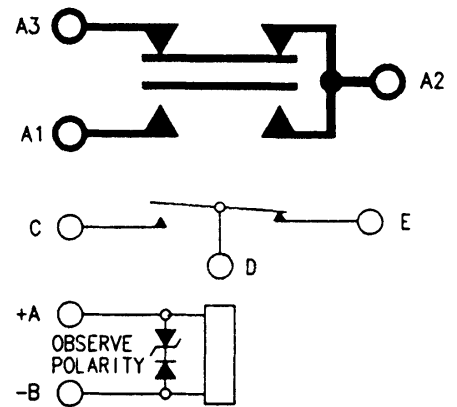


Features:

- SPDT Double Break Main Contacts
- Transient Suppression
- 28 VDC or 115 VAC, 400 Hz
- 50 Amps
- High Reliability
- Meets many requirements of MIL-R-6106
- Light Weight Construction



CONTACTOR CONFIGURATION



Notes:

Dimensions for this product are expressed in inches. Multiply values by 25.4 for millimeters.

PRODUCT SPECIFICATIONS	
Construction	Gasket Sealed, Vented
Main Contacts:	
Configuration	SPDT Double Break
Voltage (Nominal)	28 VDC
Current (Resistive)	50 Amps
Auxiliary Contacts:	
Configuration	SPDT
Voltage (Nominal)	28 VDC
Current (Resistive)	.1 Amps
Coil Data:	
Duty Cycle	Continuous
Voltage (Nominal)	28 VDC
Pick-Up Voltage	18 VDC @ +25°C
Drop-Out Voltage	1.5 - 7.0 VDC
Coil Current @ 28 VDC & +25°C	0.20 Amps Maximum
Operating Temperature	-55°C to +71°C
Life:	
Electrical	50,000 Cycles
Mechanical	100,000 Cycles
Weight	.41 Oz.

For factory-direct application assistance, contact the HARTMAN product team at (419) 521-9500, Fax (419) 526-2749.

© 2004 by Tyco Electronics Corporation. All Rights Reserved. HARTMAN and TYCO are trademarks.