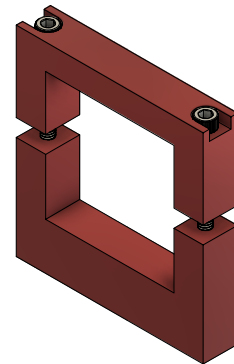
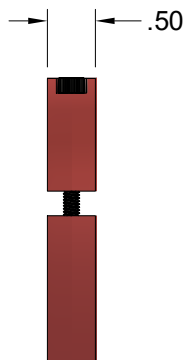
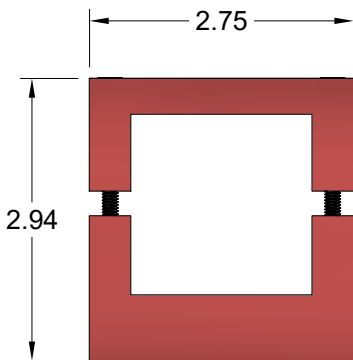
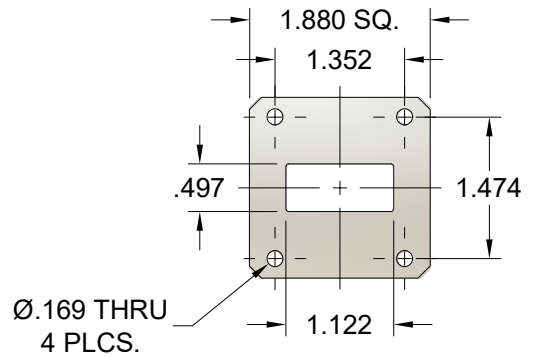
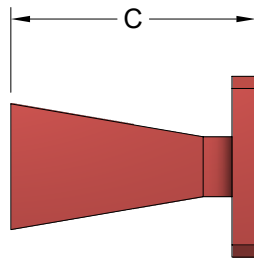
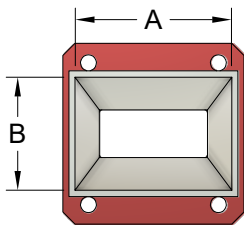
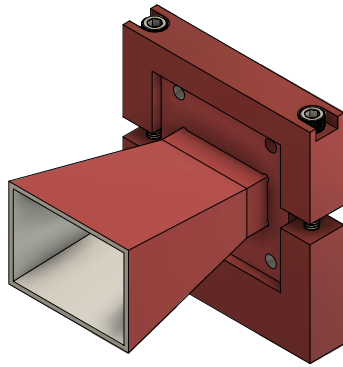




REVISION HISTORY

REV	DESCRIPTION	DATE	APPROVED
A	INITIAL RELEASE	8/2/2022	DA



1/4-20 UNC - 2B
 ↓ 0.375

WR112 10dB GAIN HORN ANTENNA							
WG SIZE	FREQ. (GHz)	GAIN (dB)	3dB Beam Width (E-Plane)	3dB Beam Width (H-Plane)	Dim. A (in)	Dim. B (in)	Dim. C (in)
WR112	7.05-10	10	56.8°	55.2°	1.63	1.18	2.55

THIRD ANGLE PROJECTION:  UNLESS OTHERWISE NOTED, DIMENSIONS ARE IN INCHES, TOLERANCES ARE: FRACTIONS: ±1/64 ANGLES: ±1/2° MACHINED FINISH: 63 OR BETTER	APPROVALS	DATE	 DRAWING WR112 10dB Horn Antenna, OUTLINE			
	DRAWN Dirk Aubram	8/2/22				
	CHCKD.		SIZE	CAGE CODE	ITIT DRAWING#	REVISION
	APRVD.		6CDA9		OTL112-10-ITI	A
DECIMALS	MATERIAL		SCALE	MODEL#	SHEET	
2 PLACE	ALUMINUM	1:2		SGH112-10-ITI	1/1	
3 PLACE	TREATMENT					
±.03	CHEMFILM					
±.005	FINISH	RED				