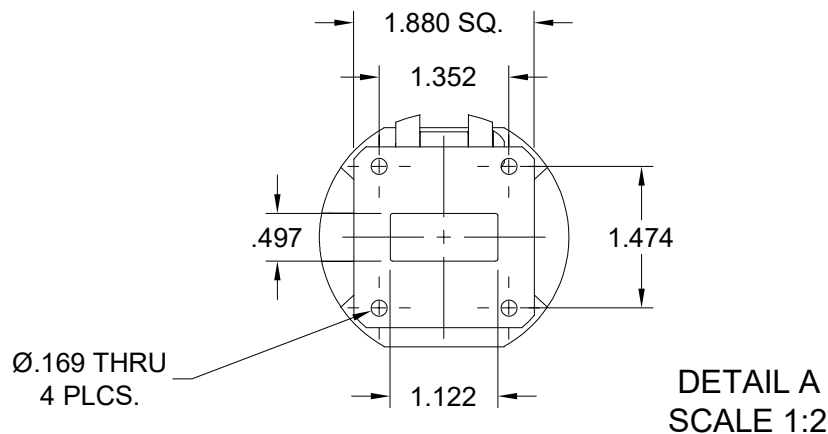
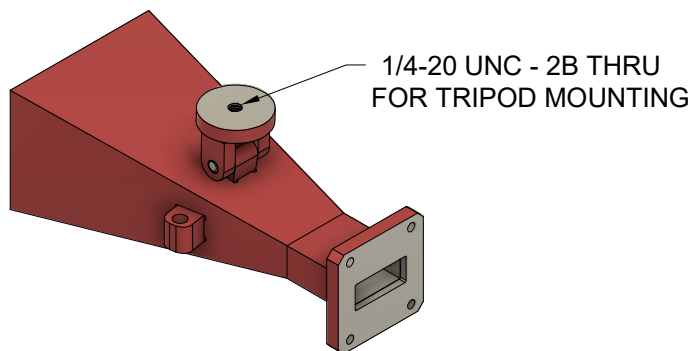
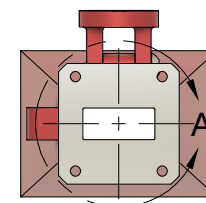
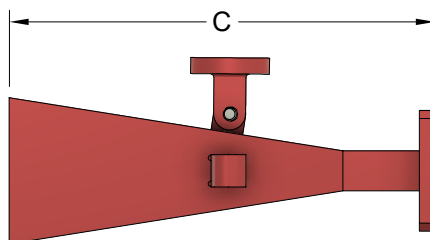
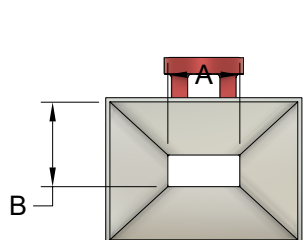


REVISION HISTORY

REV	DESCRIPTION	DATE	APPROVED
A	INITIAL RELEASE	8/2/2022	DA



WR112 15dB GAIN HORN ANTENNA							
WG SIZE	FREQ. (GHz)	GAIN (dB)	3dB Beam Width (E-Plane)	3dB Beam Width (H-Plane)	Dim. A (in)	Dim. B (in)	Dim. C (in)
WR112	7.05-10	15	32.4°	32.0°	2.93	2.15	6.65

THIRD ANGLE PROJECTION:	APPROVALS	DATE					
UNLESS OTHERWISE NOTED, DIMENSIONS ARE IN INCHES, TOLERANCES ARE: FRACTIONS: ±1/64 ANGLES: ±1/2° MACHINED FINISH: 63 OR BETTER	DRAWN: Dirk Aubram	8/2/22					
DECIMALS 2 PLACE 3 PLACE	CHCKD.		DRAWING WR112 15DB HORN ANTENNA, OUTLINE				
±.03 ±.005	APRVD.						
	MATERIAL: ALUMINUM	SIZE: 6CDA9	CAGE CODE: ITT	DRAWING#: OTL112-15-ITI	REVISION: A SHEET: 1/1		
	TREATMENT: CHEMFILM	SCALE: 1:3	MODEL#: SGH112-15-ITI				
	FINISH: RED						