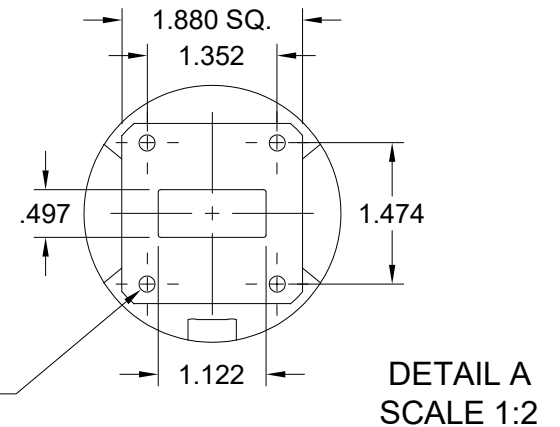
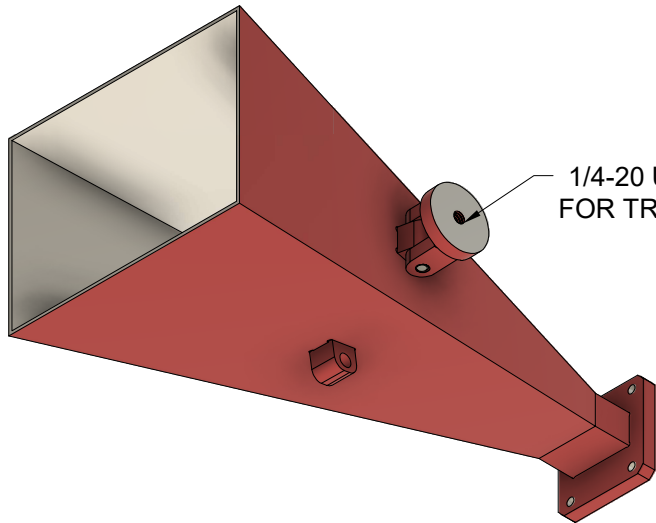
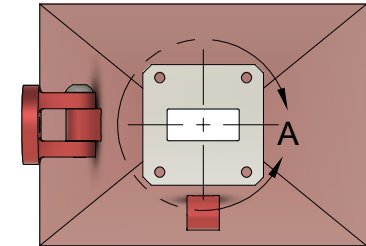
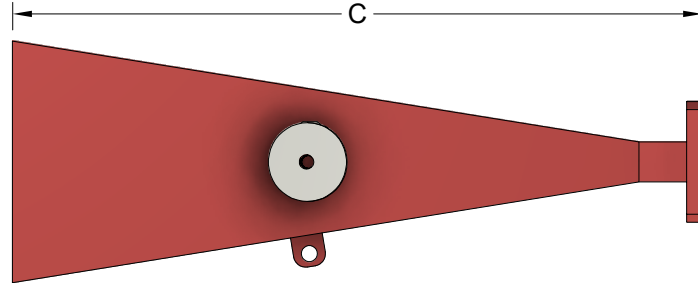
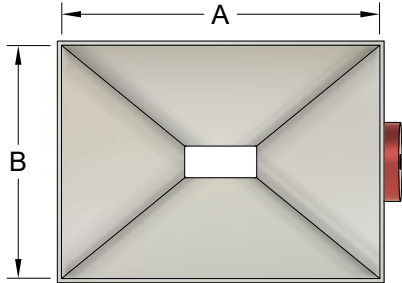


REVISION HISTORY

REV	DESCRIPTION	DATE	APPROVED
A	INITIAL RELEASE	8/3/2022	DA



WR112 20dB GAIN HORN ANTENNA							
WG SIZE	FREQ. (GHz)	GAIN (dB)	3dB Beam Width (E-Plane)	3dB Beam Width (H-Plane)	Dim. A (in)	Dim. B (in)	Dim. C (in)
WR112	7.05-10	20	19.3°	19.3°	4.97	3.64	10.78

THIRD ANGLE PROJECTION:		APPROVALS	DATE				
UNLESS OTHERWISE NOTED, DIMENSIONS ARE IN INCHES, TOLERANCES ARE:		DRAWN Dirk Aubram	8/3/22				
FRACTIONS: ±1/64 ANGLES: ±1/2° MACHINED FINISH: 63 OR BETTER		CHCKD.		DRAWING			
DECIMALS		APRVD.		WR112 20DB HORN ANTENNA			
2 PLACE	3 PLACE	MATERIAL ALUMINUM	SIZE CAGE CODE	DRAWING#	REVISION		
±.03	±.005	TREATMENT CHEMFILM	6CDA9	112-20-ITI	A		
		FINISH RED	SCALE 1:3	MODEL#	SHEET		
				SGH112-20-ITI	1/1		